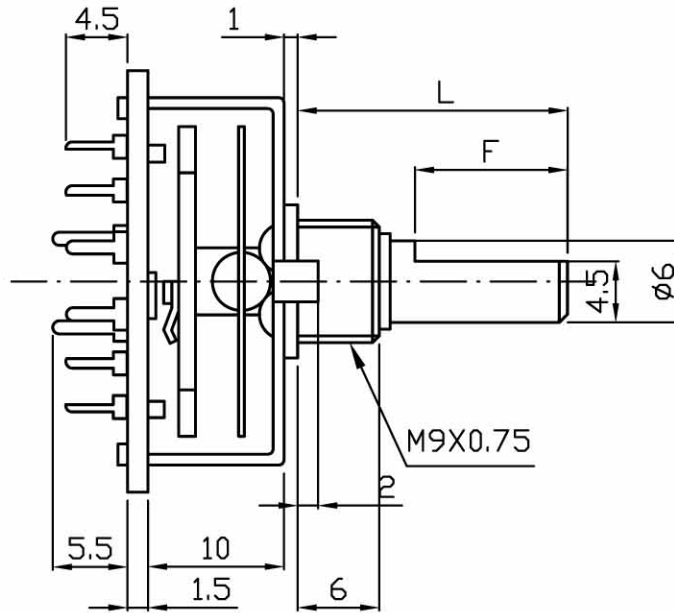
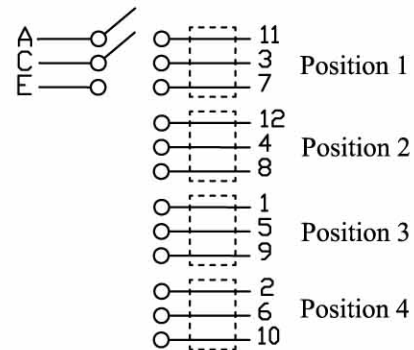
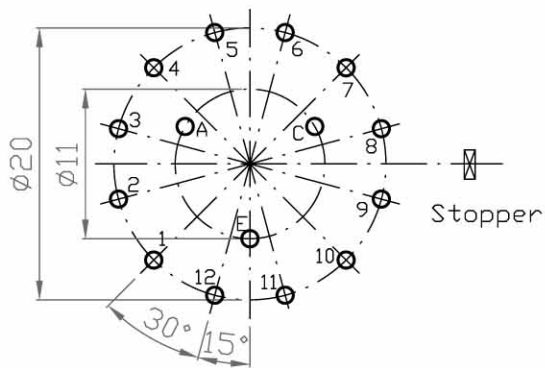
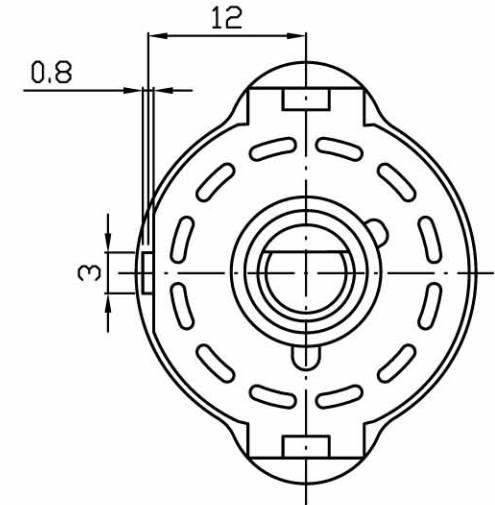


P.C.B. MOUNTING HOLD



CIRCUIT



Choose						10	± 0.3
L	15	20	25	30	35	10 ~100	± 0.5
F	7	12	12	12	12	100	± 0.8



Part Number:

VPRS-3PL4PO

mm		1.8:1
1.0		2009.04.16
RS25-048		

\triangle			
\triangle			
\triangle			
\triangle			