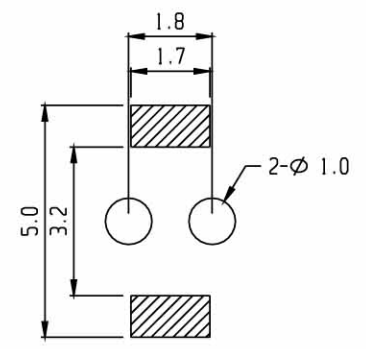
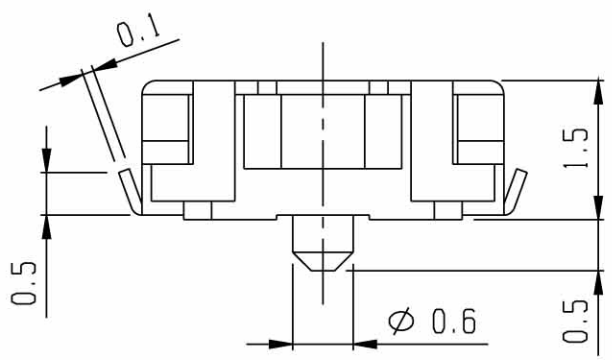
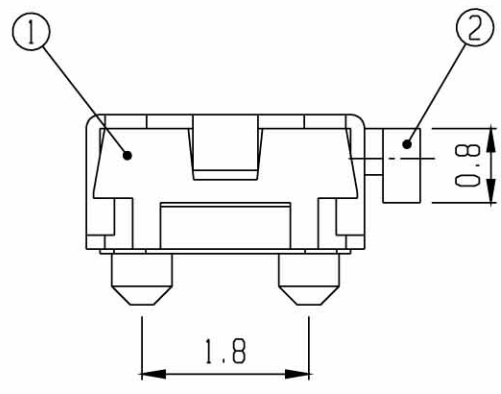


SCHEMATIC



PCB LAYOUT

RoHS  
Compliance



5	CONTACT	S U S	2		6	DUST COVER	POLYIMIDE	1	
3	TERMINAL	P B S	2	Ag PLATED	4	COVER BOARD	S U S	1	
1	FRAME	NYLON 46	1		2	NOB	NYLON 46	1	
NO	PART	MATERIAL	QTY	REMARKS	NO	PART	MATERIAL	QTY	REMARKS

<b>ISSUED</b>	<b>SPECIFICATION</b>	<b>TITLE: TACT SWITCH</b>		
	RATING: DC 12V 50mA	<b>MODEL NO: TC-26404</b>		
	CONTACT RESISTANCE: 100mΩ Max.	TOLERANCE	UNIT: MM	DWN.
	INSULATION RESISTANCE: 100MΩ at 500V DC	UP TO 1.0:±0.1	SCALE: 12:1	CHK'D.
	WITHSTAND VOLTAGE: AC 250V for 1 minute.	1.0 TO 10.0:±0.2	VERSION: 02	APPD.
	OPERATION FORCE: REFER ATTACH SPECIFICATION	OVER 10.0:±0.3	DRWG NO:	
	SWITCHING LIFE: 100k cycles Min.			

BY:   
DATE: 29-JUN-2007

