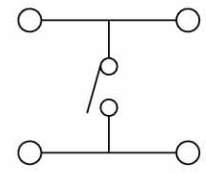
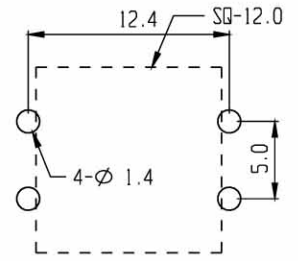


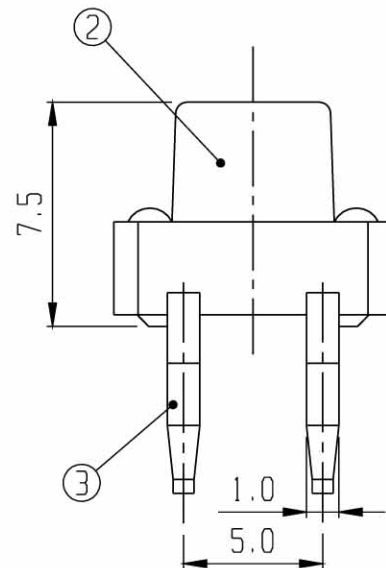
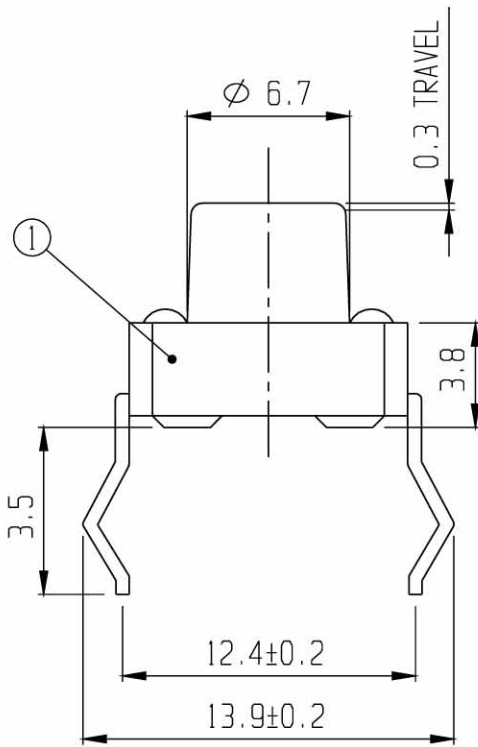
RoHS
Compliance



SCHEMATIC



PCB LAYOUT



5	CONTACT	P B S	1	Ag PLATED					
3	TERMINAL	BRASS	4	Ag PLATED	4	COVER BOARD	POLYESTER FILM	1	
1	FRAME	NYLON	1		2	KNOB	NYLON	1	
NO	PART	MATERIAL	QTY	REMARKS	NO	PART	MATERIAL	QTY	REMARKS

ISSUED

SPECIFICATION

TITLE: TACT SWITCH (06)

RATING: DC 12V 50mA
 CONTACT RESISTANCE: 100mΩ Max.
 INSULATION RESISTANCE: 100MΩ at 500V DC
 WITHSTAND VOLTAGE: AC 250V for 1 minute.
 OPERATION FORCE: REFER ATTACH SPECIFICATION
 SWITCHING LIFE: 100k Cycles Min.

MODEL NO: TC-00123-00

TOLERANCE UNIT: MM
 UP TO 1.0:±0.1 SCALE: 4:1
 1.0 TO 10.0:±0.2 VERSION: 1
 OVER 10.0:±0.3 DRWG NO:

DWN. *Jm*
 CHK'D. *Jm*
 APPD. *Lizy*

BY: *Lizy*
 DATE: 23-JUL-2009

