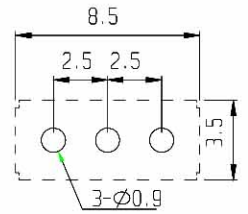
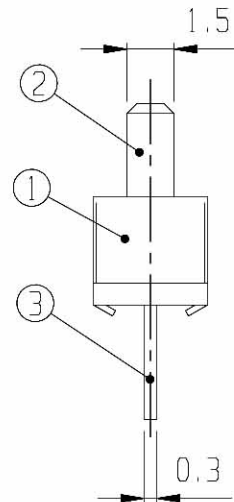
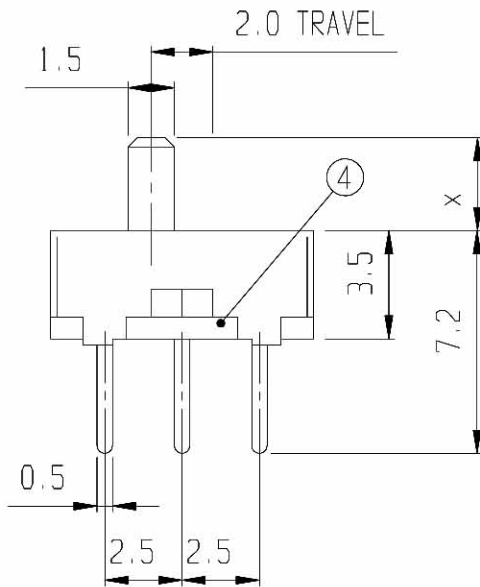


SCHEMATIC



PCB LAYOUT

RoHS Compliance



5	CONTACT	P B S	1	Ag PLATED
3	TERMINAL	BRASS	3	Ag PLATED
1	FRAME	S P C C	1	Ni PLATED
NO	PART	MATERIAL	QTY	REMARKS

4	TERMINAL BASE	PHENOL RESIN	1	NATURAL
2	KNOB	P O M	1	CG 2-7
NO	PART	MATERIAL	QTY	REMARKS

ISSUED	SPECIFICATION	TITLE: SLIDE SWITCH(1P2T)		
	RATING: DC 30V 0.3A	MODEL NO: SS-12D00		
	CONTACT RESISTANCE: 30mΩ max.			
	INSULATION RESISTANCE: 500MΩ at 500V DC	TOLERANCE	UNIT: MM	DWN.
	WITHSTAND VOLTAGE: AC 500V for 1 minute	UP TO 1.0:±0.1	SCALE: 4:1	CHK'D.
	OPERATION FORCE: REFER ATTACH SPECIFICATION	1.0 TO 10.0:±0.2	VERSION: 01	APPD.
	SWITCHING LIFE: 10K cycles min.	OVER 10.0:±0.3	DRWG NO:	

BY: 
DATE: 08-MAR-1999

