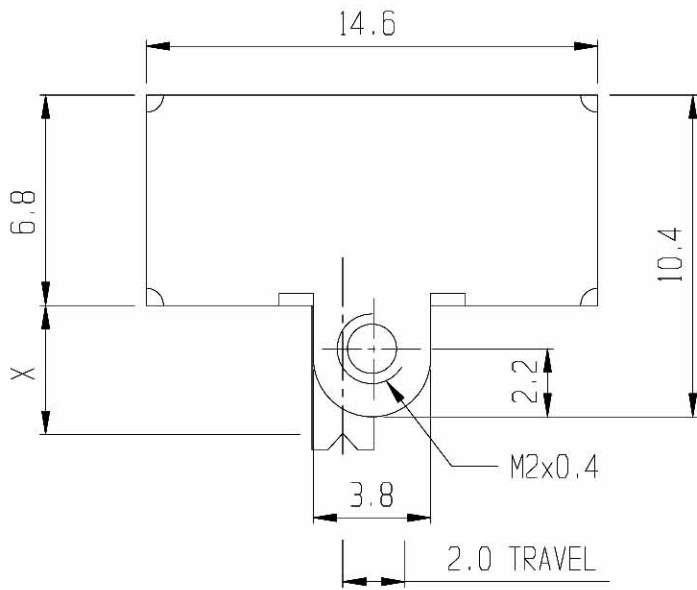
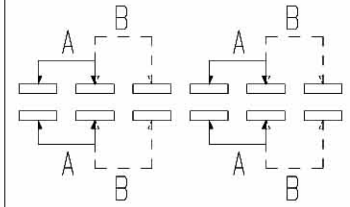


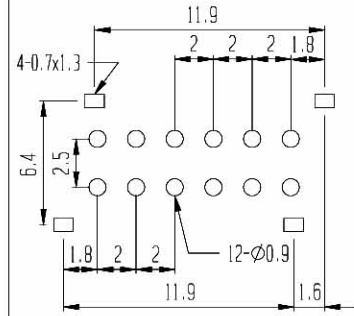
Non-shorting  
shorting



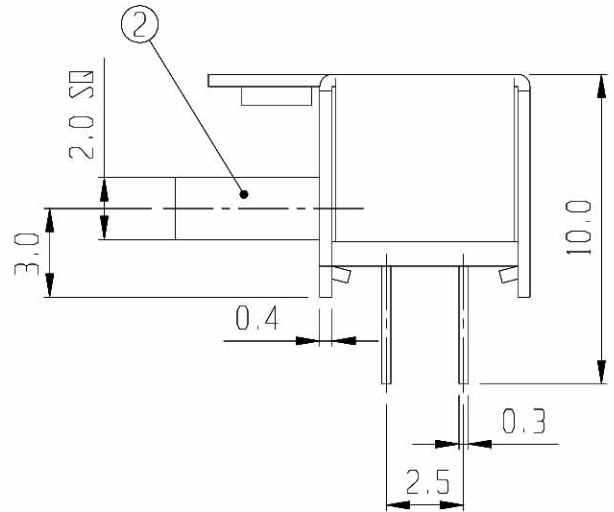
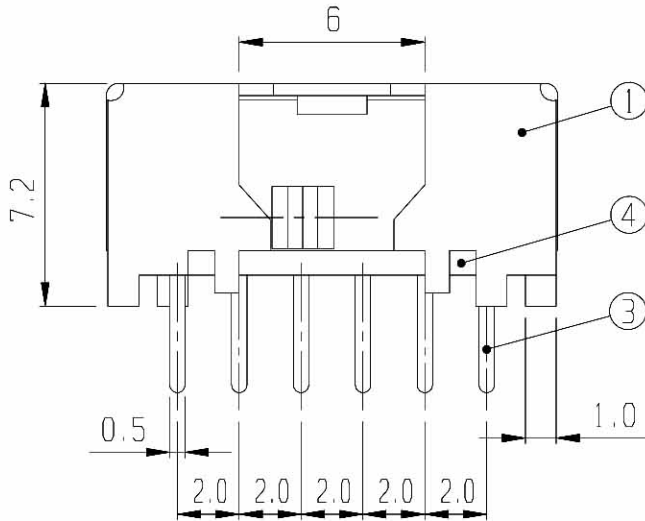
**RoHS  
Compliance**



**SCHEMATIC**



**PCB LAYOUT**



7	BALL	STEEL	1						
5	CONTACT	P B S	4	Ag PLATED	6	SPRING	STEEL WIRE	1	
3	TERMINAL	BRASS	12	Ag PLATED	4	TERMINAL BASE	PHENOL RESIN	1 NATURAL	
1	FRAME	S P C C	1	Ni PLATED	2	KNOB	P O M	1 VG 2-7	
NO	PART	MATERIAL	QTY	REMARKS	NO	PART	MATERIAL	QTY	REMARKS

**ISSUED**

**SPECIFICATION**

**TITLE: SIDE KNOB SLIDE SWITCH (4P2T)**

RATING: DC 30V 0.3A  
 CONTACT RESISTANCE: 30mΩ max.  
 INSULATION RESISTANCE: 500MΩ at 500V DC  
 WITHSTAND VOLTAGE: AC 500V for 1 minute  
 OPERATION FORCE: REFER ATTACH SPECIFICATION  
 SWITCHING LIFE: 10K cycles min.

MODEL NO: SK-42D04

TOLERANCE UNIT: MM  
 UP TO 1.0: ±0.1 SCALE: 4:1  
 1.0 TO 10.0: ±0.2 VERSION: 01  
 OVER 10.0: ±0.3 DRWG NO:

DWN. *hro*  
 CHK'D. *mu*  
 APPD. *[Signature]*

BY: *[Signature]*  
 DATE: 11-JUN-1999

