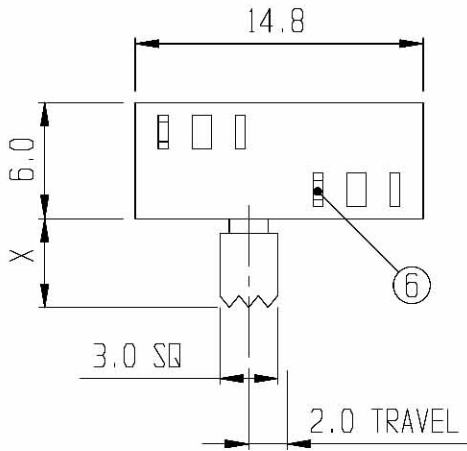
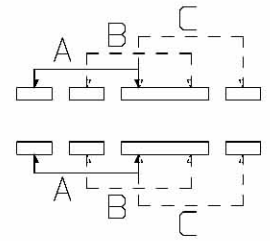


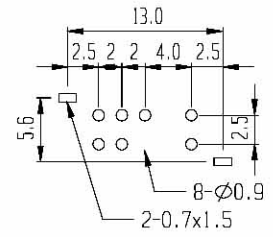
shorting



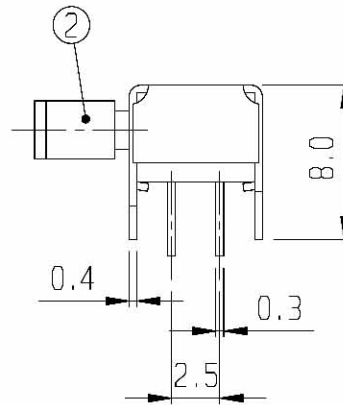
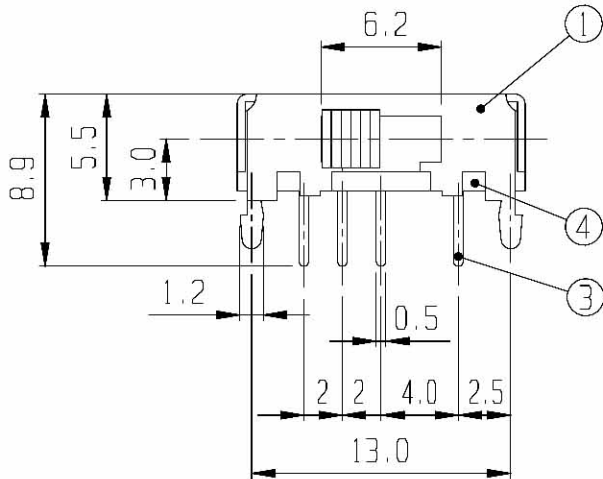
**RoHS  
Compliance**



SCHMATIC



PCB LAYOUT



5	CONTACT	P B S	2	Ag PLATED	6	SPRING PLATE	P B S	1	
3	TERMINAL	BRASS	8	Ag PLATED	4	TERMINAL BASE	PHENOL RESIN	1	NATURAL
1	FRAME	S P C C	1	Ni PLATED	2	KNOB	P O M	1	EG 2-9
NO	PART	MATERIAL	QTY	REMARKS	NO	PART	MATERIAL	QTY	REMARKS

ISSUED

SPECIFICATION

TITLE: SIDE KNOB SLIDE SWITCH (2P3T)

RATING: DC 30V 0.5A  
 CONTACT RESISTANCE: 30mΩ max.  
 INSULATION RESISTANCE: 500MΩ at 500V DC  
 WITHSTAND VOLTAGE: AC 500V for 1 minute  
 OPERATION FORCE: REFER ATTACH SPECIFICATION  
 SWITCHING LIFE: 10K cycles min.

MODEL NO: SK-23D01

TOLERANCE UNIT: MM  
 UP TO 1.0: ±0.1 SCALE: 2.5:1  
 1.0 TO 10.0: ±0.2 VERSION: 02  
 OVER 10.0: ±0.3 DRWG NO:

DWN. *hms*  
 CHK'D. *pm*  
 APPD. *[Signature]*

BY: *[Signature]*  
 DATE: 24-AUG-2006

