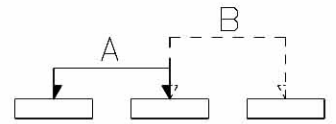
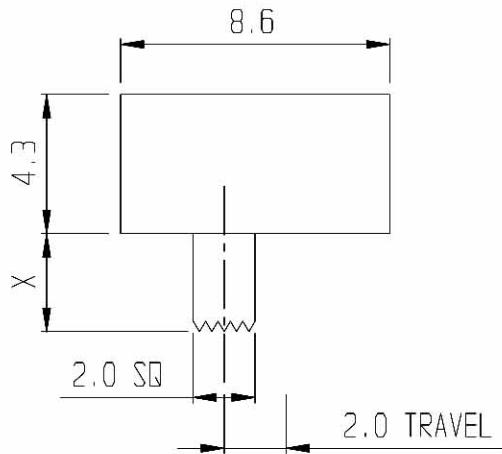
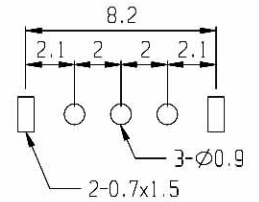


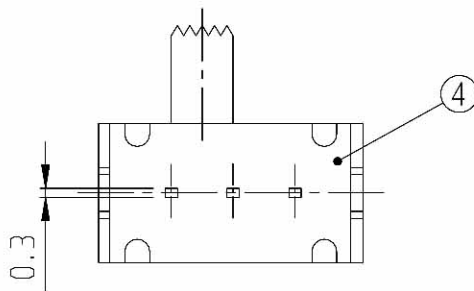
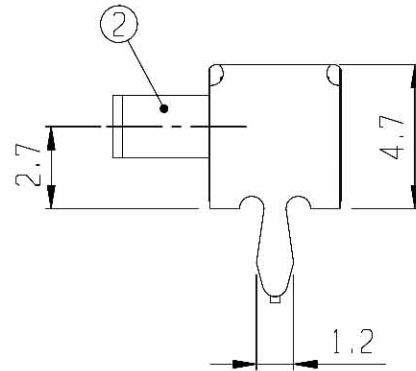
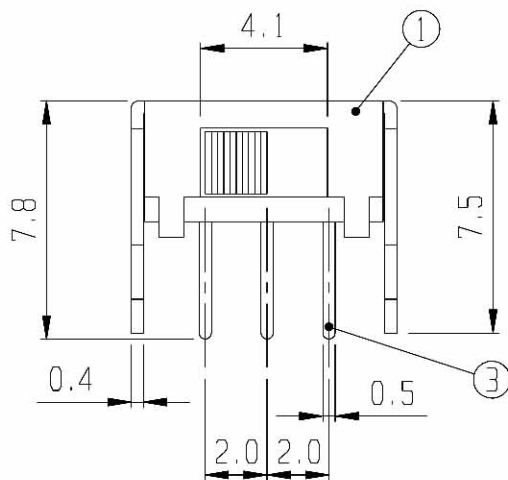
Non-shorting
shorting



SCHEMATIC



PCB LAYOUT



**RoHS
Compliance**

5	CONTACT	P B S	1	Ag PLATED	6	SPRING PLATE	P B S	1	
3	TERMINAL	BRASS	3	Ag PLATED	4	TERMINAL BASE	PHENOL RESIN	1	NATURAL
1	FRAME	S P C C	1	Ni PLATED	2	KNOB	P O M	1	EG 2-10
NO	PART	MATERIAL	QTY	REMARKS	NO	PART	MATERIAL	QTY	REMARKS

ISSUED

SPECIFICATION

TITLE: SIDE KNOB SLIDE SWITCH (1P2T)

RATING: DC 30V 0.3A
 CONTACT RESISTANCE: 30mΩ max.
 INSULATION RESISTANCE: 500MΩ at 500V DC
 WITHSTAND VOLTAGE: AC 500V for 1 minute
 OPERATION FORCE: REFER ATTACH SPECIFICATION
 SWITCHING LIFE: 10K cycles min.

MODEL NO: SK-12D01

TOLERANCE UNIT: MM
 UP TO 1.0: ±0.1 SCALE: 4:1
 1.0 TO 10.0: ±0.2 VERSION: 02
 OVER 10.0: ±0.3 DRWG NO:

DWN. *hoo*
 CHK'D. *pm*
 APPD. *[Signature]*

BY: *[Signature]*

DATE: 24-AUG-2006

