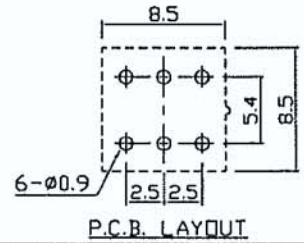
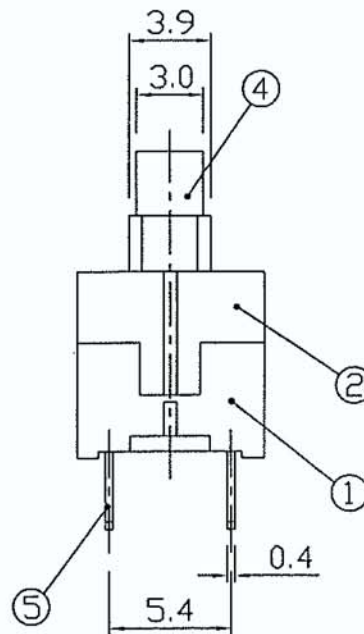
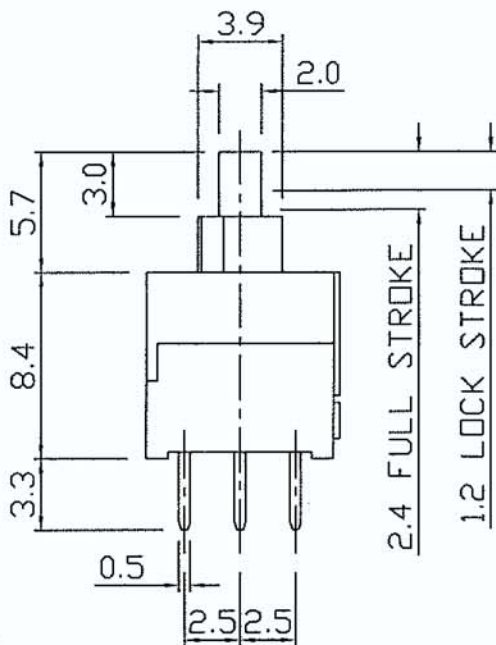


SCHMATIC



P.C.B. LAYOUT



NO.	PART	MATERIAL	QTY	REMARKS	NO.	PART	MATERIAL	QTY	REMARKS
7	HOOK	S U S	1						
5	TERMINAL	BRASS	6	Ag PLATED	6	SPRING	SPCC	1	NI PLATED
3	CONTACT	P B S	2	Ag PLATED	4	KNOB	P D M	1	
1	FRAME	NYLON	1	PA 33L	2	COVER	P D M	1	

ISSUED		SPECIFICATION			TITLE: PUSH SLIDE SWITCH (2P21) (LOCK)				
		RATING: DC 30V 0.1A			MODEL NO.: PS-22E09L				
		CONTACT RESISTANCE: 70mΩ max.			UNIT:	MM	DWN	<i>hwo</i>	
		INSULATION RESISTANCE: 100MΩ at 500V DC			SCALE:	3:1	CHK'D	<i>Sung</i>	
		WITHSTAND VOLTAGE: AC 250V for 1 minute			TOLERANCE:	±0.2	APPD.	<i>[Signature]</i>	
		OPERATION FORCE: REFER ATTACH SPECIFICATION							
		SWITCHING LIFE: 10K cycles min.							
BY:	<i>[Signature]</i>	Vimex International Corp. http://www.vimex.com			DRWG NO.:				
DATE:	21-APR-2006				VERSION: 02				