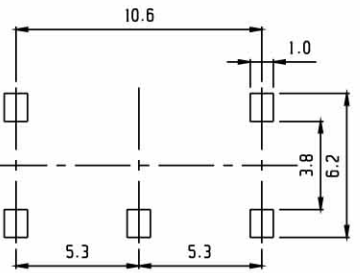
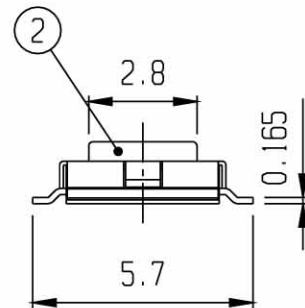
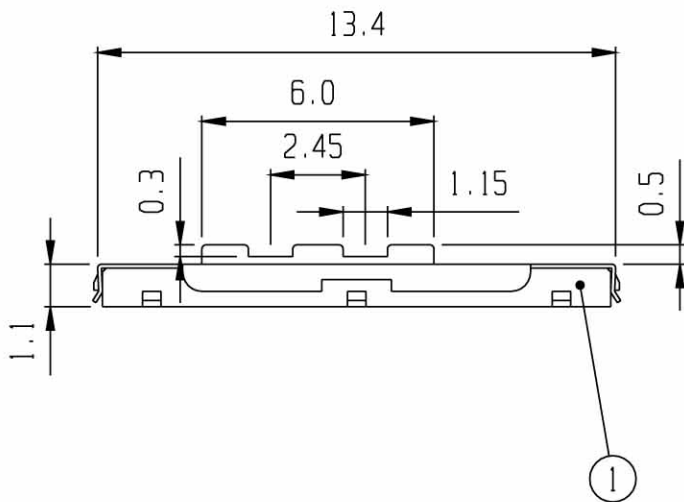


SCHEMATIC




P.C.B. LAYOUT

RoHS Compliance



5	CONTACT	CuBe	1	Ag PLATED	6	SPRING PLATE	S U S	1	
3	TERMINAL	BRASS	5	Ag PLATED	4	COVER BOARD	S U S	1	
1	FRAME	NYLON 6T	1		2	KNOB	NYLON 6T	1	
NO.	PART	MATERIAL	QTY	REMARKS	NO.	PART	MATERIAL	QTY	REMARKS

ISSUED	SPECIFICATION	TITLE: MINIATURE SLIDE SWITCH (1P2T) (SMD)	
	RATING: DC 12V 0.1A	MODEL NO: MSS-12D05	
	CONTACT RESISTANCE: 70mΩ max.		
	INSULATION RESISTANCE: 100MΩ AT 500V DC	TOLERANCE	UNIT: MM
	WITHSTAND VOLTAGE: AC 100V for 1 minute	UP TO 1.0:±0.1	SCALE: 5:1
	OPERATION FORCE: REFER ATTACH SPECIFICATION	1.0 TO 10.0:±0.2	VERSION: 04
	SWITCHING LIFE: 10K cycles min.	OVER 10.0:±0.3	DRWG NO:

BY: 
DATE: 07-AUG-2007

