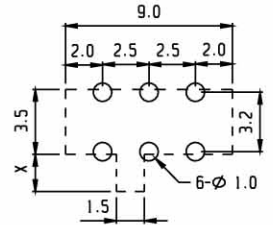
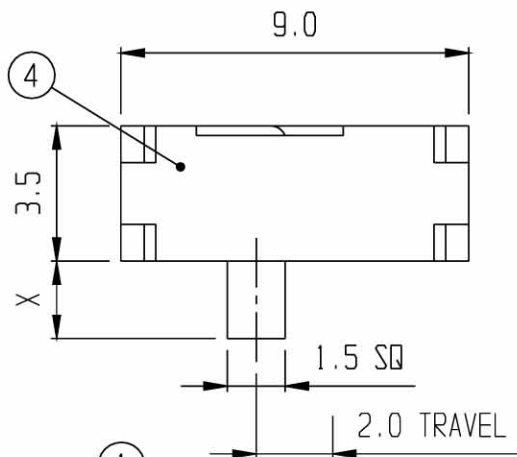
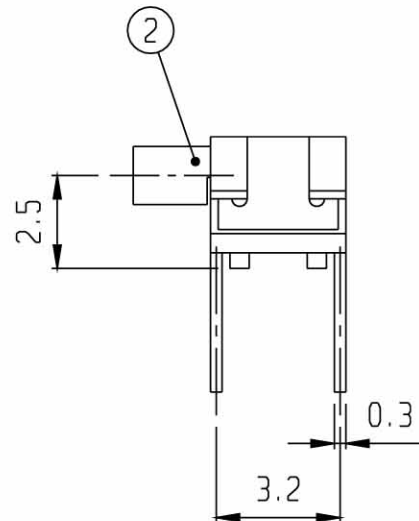
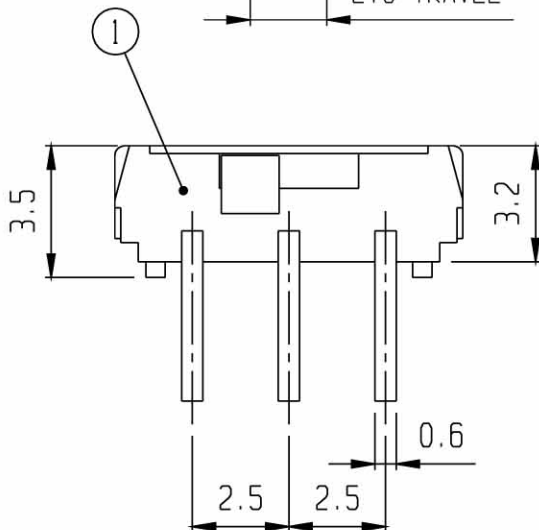


SCHEMATIC



P.C.B. LAYOUT

RoHS Compliance



5	CONTACT	P B S	2	Ag PLATED					
3	TERMINAL	BRASS	6	Ag PLATED	4	COVER BOARD	S U S	1	
1	FRAME	NYLON 46	1		2	KNOB	NYLON 46	1 TG 2-5	
NO.	PART	MATERIAL	QTY	REMARKS	NO.	PART	MATERIAL	QTY	REMARKS

ISSUED	SPECIFICATION	TITLE: MINIATURE SIDE KNOB SLIDE SWITCH (2P2T)		
	RATING: DC 12V 0.1A	MODEL NO: MSK-22D18		
	CONTACT RESISTANCE: 70mΩ max.	TOLERANCE	UNIT: MM	DWN. <i>hro</i>
	INSULATION RESISTANCE: 100MΩ AT 500V DC	UP TO 1.0:±0.1	SCALE: 5:1	CHK'D. <i>pu</i>
	WITHSTAND VOLTAGE: AC 100V for 1 minute	1.0 TO 10.0:±0.2	VERSION: 04	APPD. <i>[Signature]</i>
	OPERATION FORCE: REFER ATTACH SPECIFICATION	OVER 10.0:±0.3	DRWG NO:	
	SWITCHING LIFE: 10K cycles min.			

BY: *[Signature]*
DATE: 07-AUG-2007

