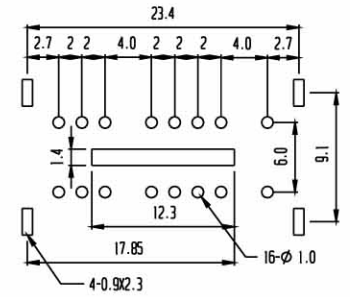
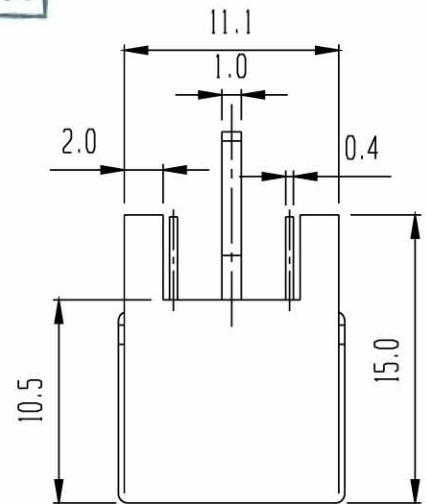
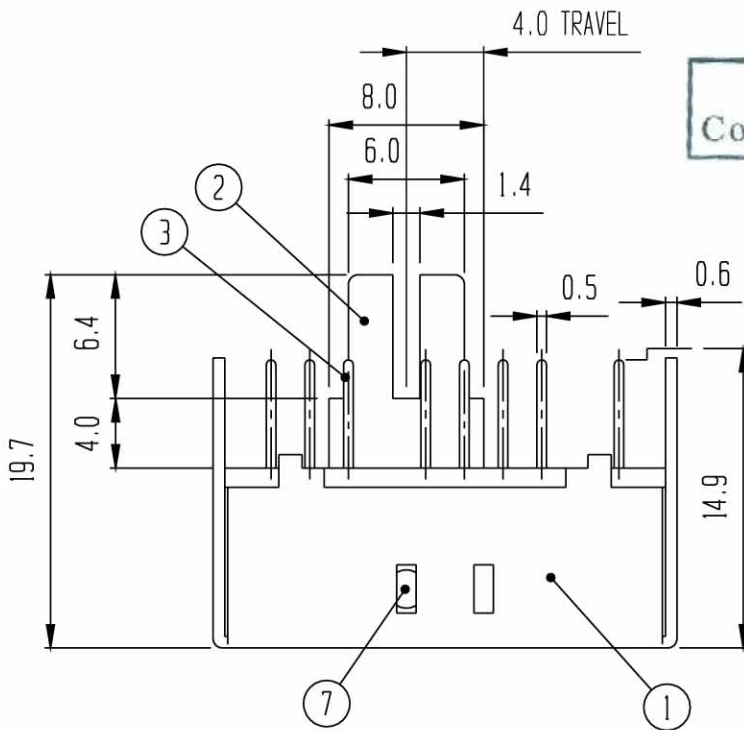


SCHEMATIC



P.C.B. LAYOUT

RoHS Compliance



7	BALL	STEEL	2						
5	CONTACT	P B S	4	Ag PLATED	6	SPRING	STEEL WIRE	1	
3	TERMINAL	BRASS	16	Ag PLATED	4	TERMINAL BASE	PHENOL RESIN	1 NATURAL	
1	FRAME	SPCC	1	Ni PLATED	2	KNOB	POM+SPCC	1 BM 10.4	
NO.	PART	MATERIAL	QTY	REMARKS	NO.	PART	MATERIAL	QTY	REMARKS

ISSUED

SPECIFICATION

TITLE: BOTTOM KNOB SWITCH (4P2T)

RATING: DC 30V 0.5A

CONTACT RESISTANCE: 30mΩ max.

INSULATION RESISTANCE: 500MΩ AT 500V DC

WITHSTAND VOLTAGE: AC 500V for 1 minute

OPERATION FORCE: REFER ATTACH SPECIFICATION

SWITCHING LIFE: 10K cycles min.

MODEL NO: BKS-42H01

TOLERANCE

UNIT: MM

UP TO 1.0:±0.1

SCALE: 2.5:1

1.0 TO 10.0:±0.2

VERSION: 01

OVER 10.0:±0.3

DRWG NO:

DWN.

CHK'D.

APPD.

BY:

DATE: 05-MAY-2003

**VIMEX**  
INTERNATIONAL CORPORATION

