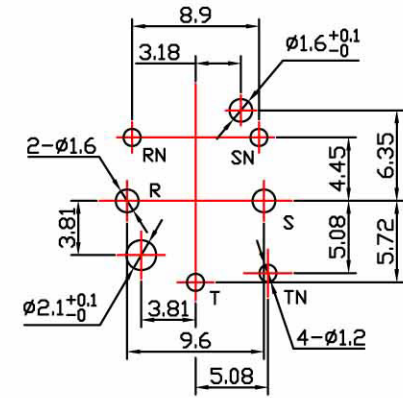
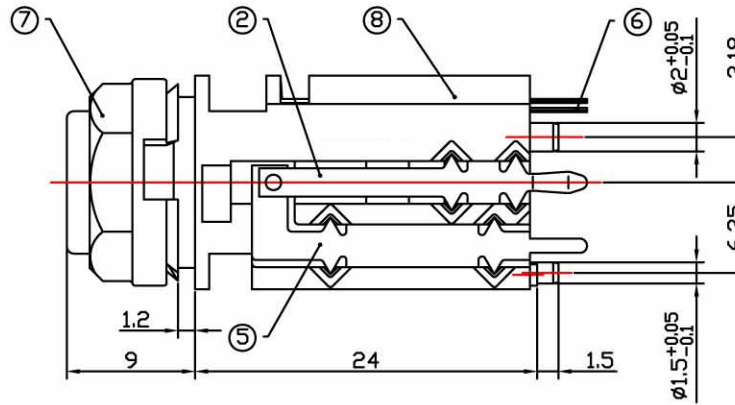
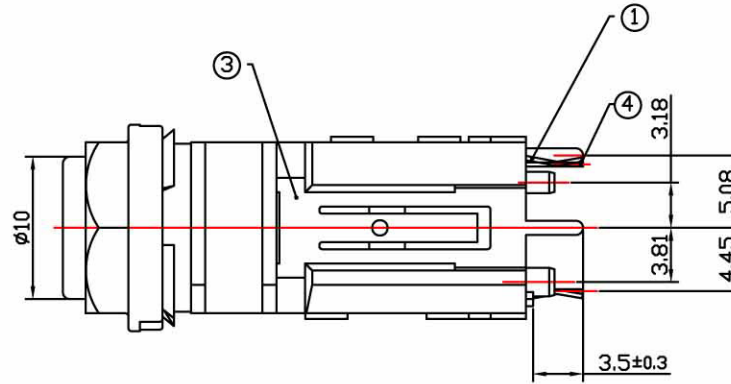
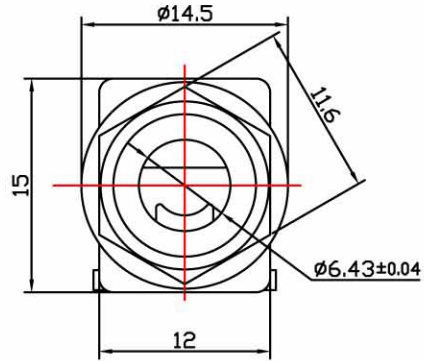
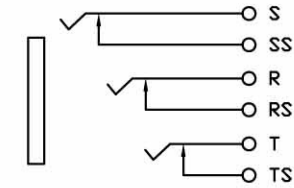


PANEL CUT OUT (TOP VIEW)



PCB MOUNTING HOLES
(TOP VIEW) Tolerance: ±0.05



CIRCUIT DIAGRAM

8	HOUSING	1	PA66 G10 (BLACK)	RoHS COMPLIANT
7	PLASTIC NUT	1	PA66 G10 (BLACK)	
6	TS# TERMINAL	1	BRASS (H62 t=0.3)	Au-PLATED, RoHS COMPLIANT
5	RS# TERMINAL	1	BRASS (H62 t=0.3)	
4	SS# TERMINAL	1	BRASS (H62 t=0.3)	
3	T# TERMINAL	1	PHOSPHOR BRONZE(QSn6.5-0.1 t=0.3)	
2	R# TERMINAL	1	PHOSPHOR BRONZE(QSn6.5-0.1 t=0.3)	
1	S# TERMINAL	1	PHOSPHOR BRONZE(QSn6.5-0.1 t=0.3)	
NO.	PART NAME	Q'TY	MATERIAL (THICK, COLOR)	REMARK

Dimensions unless otherwise specified

Size Range	Tolerance
$L \leq 1$	± 0.15
$1 < L \leq 8$	± 0.20
$8 < L \leq 23$	± 0.25
$23 < L \leq 50$	± 0.30
ANGAL	$\pm 1^\circ$



SCALE: 1.5:1
VIEW:
UNIT: mm

NAME:
PHONE JACK
CAT. NO.
SCJ-0664H