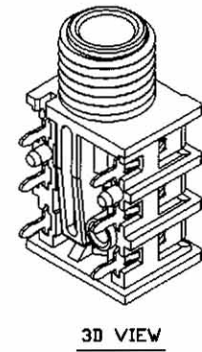
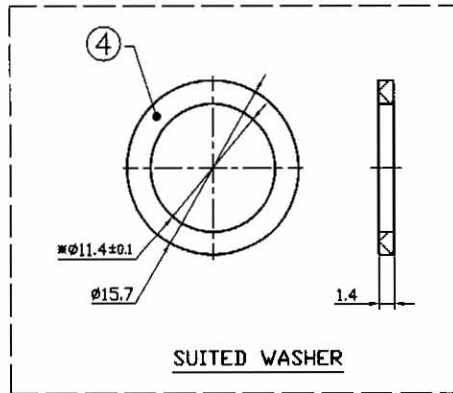
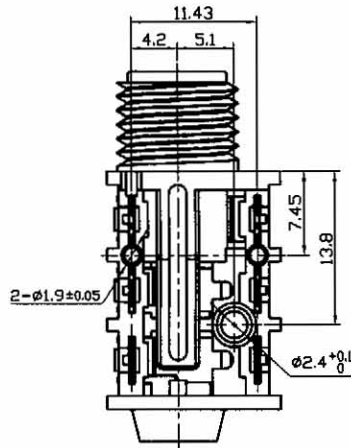


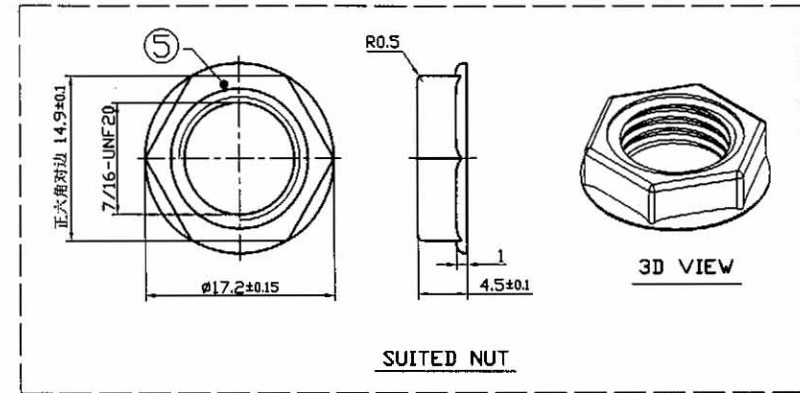
PCB MOUNTING HOLES  
(TOP VIEW) Tolerance: ±0.05



3D VIEW

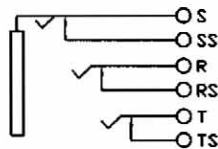


SUITED WASHER



3D VIEW

SUITED NUT



CIRCUIT DIAGRAM

Dimensions unless otherwise specified

| Size Range       | Tolerance     |
|------------------|---------------|
| $L \leq 1$       | $\pm 0.15$    |
| $1 < L \leq 8$   | $\pm 0.20$    |
| $8 < L \leq 23$  | $\pm 0.25$    |
| $23 < L \leq 50$ | $\pm 0.30$    |
| ANGAL            | $\pm 1^\circ$ |

| NO. | PART NAME       | Q'TY | MATERIAL (THICK, COLOR) | REMARK                       |
|-----|-----------------|------|-------------------------|------------------------------|
| 5   | NUT             | 1    | PA66, BLACK             | RoHS COMPLIANT               |
| 4   | WASHER          | 1    | PA66, BLACK             | RoHS COMPLIANT               |
| 3   | FLAT TERMINAL   | 3    | H62Y t=0.4              | Ag-PLATED,<br>RoHS COMPLIANT |
| 2   | SPRING TERMINAL | 3    | QSn6.5-0.1T t=0.4       |                              |
| 1   | HOUSING         | 1    | PA66 G10 (BLACK)        | RoHS COMPLIANT               |



|              |                   |
|--------------|-------------------|
| SCALE: 1.5:1 | NAME: PHONE JACK  |
| VIEW:        | CAT.NO. SCJ-0662F |
| UNIT: mm     |                   |