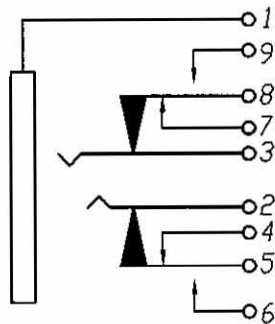
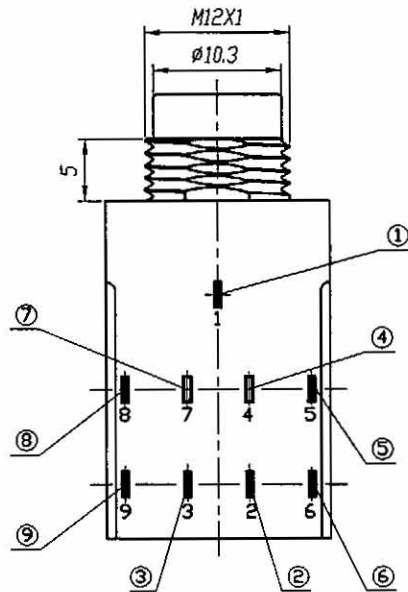


PCB MOUNTING HOLES  
(VIEWED FROM COPPER SIDE)



CIRCUIT DIAGRAM

14	SPRING	1	SPRING STEEL	NIGRESCENCE, RoHS COMPLIANT
13	---	---	---	
12	SEPARATOR	2	PDM ,BLACK	RoHS COMPLIANT
11	COVER	1	PC 94HB , TRANSLUCENT	
10	HOUSING	1	ABS 94HB ,BLACK	Ag-PLATED, RoHS COMPLIANT
9	9# TERMINAL	1	QSn6.5-0.1Y t=0.25	
8	8# TERMINAL	1	QSn6.5-0.1Y t=0.3	
7	7# TERMINAL	1	H62Y t=0.5	
6	6# TERMINAL	1	QSn6.5-0.1Y t=0.25	
5	5# TERMINAL	1	QSn6.5-0.1Y t=0.3	
4	4# TERMINAL	1	H62Y t=0.5	
3	3# TERMINAL	1	QSn6.5-0.1Y t=0.25	
2	2# TERMINAL	1	QSn6.5-0.1Y t=0.2	
1	1# TERMINAL	1	QSn6.5-0.1Y t=0.25	
NO.	PART NAME	Q'TY	MATERIAL (THICK, COLOR)	REMARK

Dimensions unless otherwise specified

Size Range	Tolerance
$L \leq 1$	$\pm 0.15$
$1 < L \leq 8$	$\pm 0.20$
$8 < L \leq 23$	$\pm 0.25$
$23 < L \leq 50$	$\pm 0.30$
ANGAL	$\pm 1^\circ$

**VIMEX**  
INTERNATIONAL CORPORATION

SCALE: 2:1  
VIEW:   
UNIT: mm

NAME:  
PHONE JACK  
CAT. NO.  
SCJ-0639-1