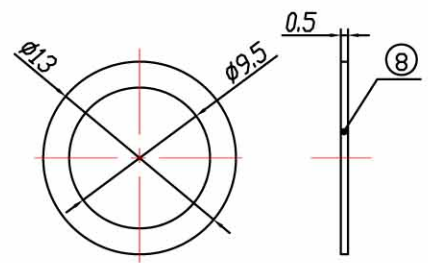
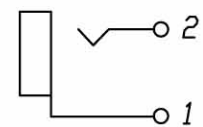


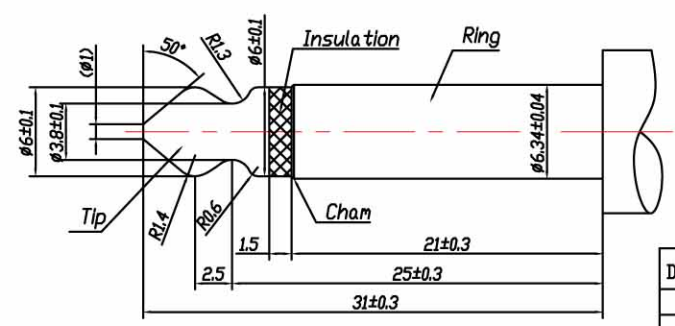
NUT



WASHER



CIRCUIT DIAGRAM



PLUG

Dimensions unless otherwise specified

Size Range	Tolerance
L ≤ 1	±0.15
1 < L ≤ 8	±0.25
8 < L ≤ 23	±0.30
23 < L ≤ 50	±0.35
ANGAL	±3°

NO.	NAME	QTY	MATERIAL (THICK, COLOR)	REMARK
8	WASHER	1	STEEL t=0.5	NI-PLATED (Cu:2-3um, Ni:2-3um)
7	NUT	1	H59 (COPPER ALLOY)	RoHS COMPLIANT
6	2# PLASTIC COVER	1	PBT+10%GF 94V-0	RoHS COMPLIANT
5	1# PLASTIC COVER	1	PBT+10%GF 94V-0	RoHS COMPLIANT
4	SLEEVE	1	H59 (COPPER ALLOY)	NI-PLATED (Cu:2-3um, Ni:2-3um)
3	LARGE WASHER	1	STEEL t=0.4	RoHS COMPLIANT
2	TERMINAL	1	QSn6.5-0.1Y t=0.6 (C5210R-H)	Ag-PLATED (Cu:2-3um, Ag:0.3um)
1	EARTH TERMINAL	1	H62Y t=0.5 (C2680R-H)	RoHS COMPLIANT



SCALE: 2:1  
VIEW:   
UNIT: mm

NAME: PHONE JACK  
CAT.NO: SCJ-0637A