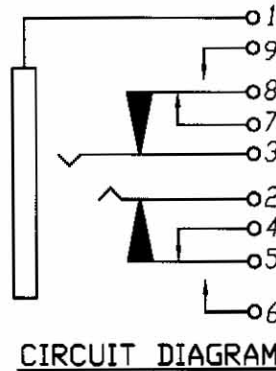
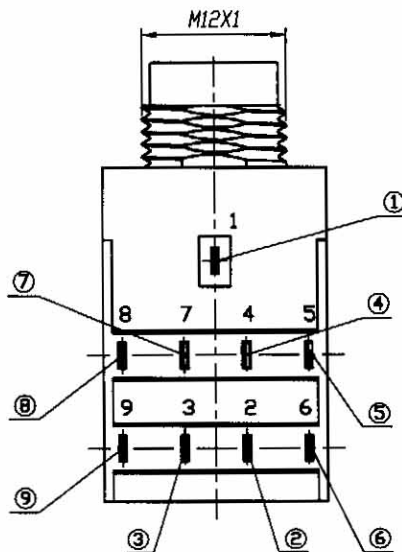


PCB MOUNTING HOLES
(VIEWED FROM COPPER SIDE)



NO.	PART NAME	Q'TY	MATERIAL (THICK, COLOR)	REMARK
13	SPRING	1	SPRING STEEL	NIGRESCENCE, RoHS COMPLIANT
12	SEPARATOR	2	PDM, BLACK	RoHS COMPLIANT
11	COVER	1	PC 94HB, TRANSLUCENT	
10	HOUSING	1	ABS 94HB, BLACK	Ag-PLATED, RoHS COMPLIANT
9	9# TERMINAL	1	QSn6.5-0.1Y t=0.25	
8	8# TERMINAL	1	QSn6.5-0.1Y t=0.25	
7	7# TERMINAL	1	H62 Y t=0.5	
6	6# TERMINAL	1	QSn6.5-0.1 Y t=0.25	
5	5# TERMINAL	1	QSn6.5-0.1 Y t=0.3	
4	4# TERMINAL	1	H62 Y t=0.5	
3	3# TERMINAL	1	QSn6.5-0.1 Y t=0.25	
2	2# TERMINAL	1	QSn6.5-0.1 Y t=0.25	
1	1# TERMINAL	1	QSn6.5-0.1 Y t=0.25	

Dimensions unless otherwise specified

Size Range	Tolerance
$L \leq 1$	± 0.15
$1 < L \leq 8$	± 0.20
$8 < L \leq 23$	± 0.25
$23 < L \leq 50$	± 0.30
ANGAL	$\pm 1^\circ$

VIMEX
INTERNATIONAL CORPORATION

SCALE:

2:1

VIEW:

UNIT: mm

NAME:

PHONE JACK

CAT.NO.

SCJ-0610