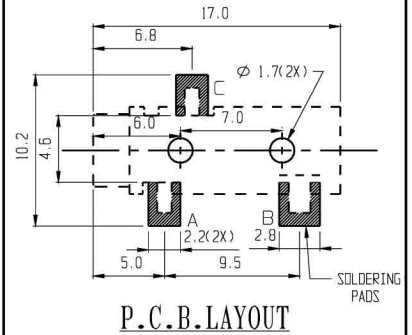
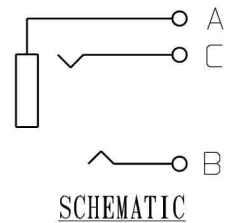


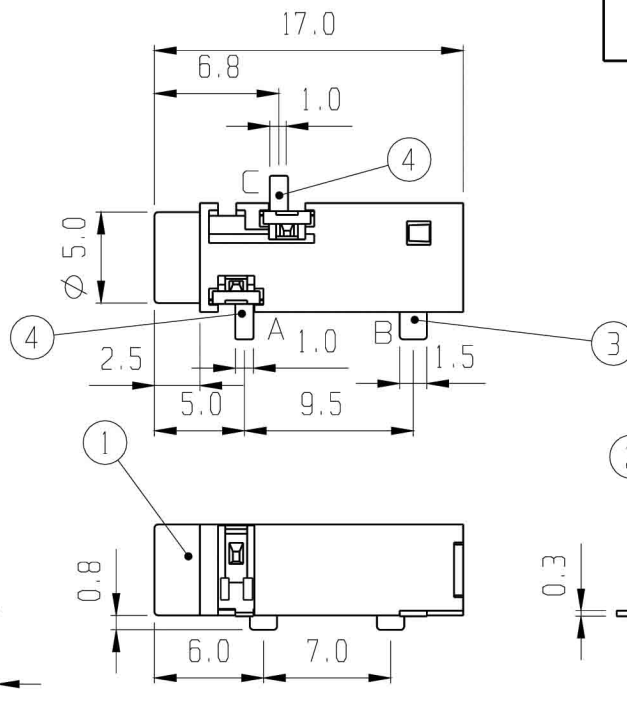
MATING PLUG



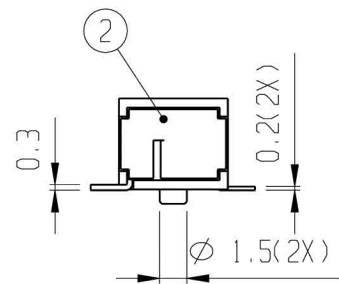
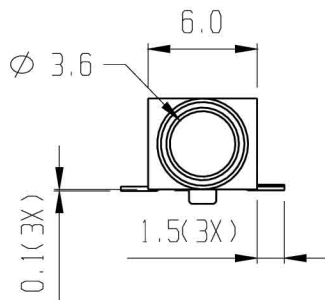
P.C.B. LAYOUT



SCHEMATIC



RoHS
Compliance



3	TERMINAL	CuBe	1	Ag-PLATING	4	TERMINAL	CuBe	2	Ag-PLATING
1	FRAME	NYLON 6T	1		2	COVER BOARD	NYLON 6T	3	
NO.	PART	MATERIAL	QTY	REMARKS	NO.	PART	MATERIAL	QTY	REMARKS

ISSUED

SPECIFICATION

TITLE: 3.5mm SMD STEREO JACK

RATING:	DC 30V 0.3A
CONTACT RESISTANCE:	50mΩ max.
INSULATION RESISTANCE:	100MΩ AT 500V DC
WITHSTAND VOLTAGE:	AC 500V for 1 minute
OPERATION FORCE:	REFER ATTACH SPECIFICATION
SWITCHING LIFE:	5,000 cycles min.

MODEL NO: SCJ-3593-SMT-A

TOLERANCE	UNIT: MM	DWN.	<i>hwo</i>
UP TO 1.0:±0.1	SCALE: 2.5:1	CHK'D.	<i>hwo</i>
1.0 TO 10.0:±0.2	VERSION: 02	APPD.	<i>hwo</i>
OVER 10.0:±0.3	DRWG NO:		

BY: *hwo*

DATE: 12-OCT-2007

