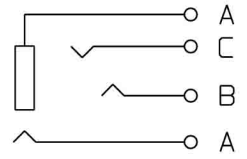
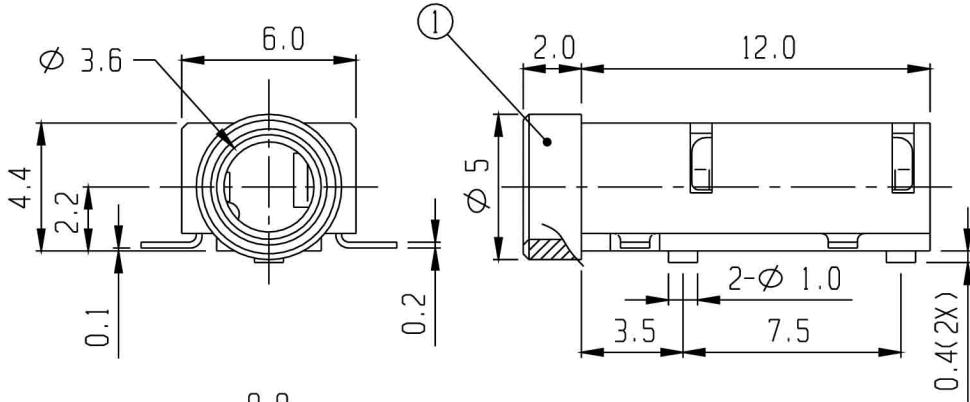
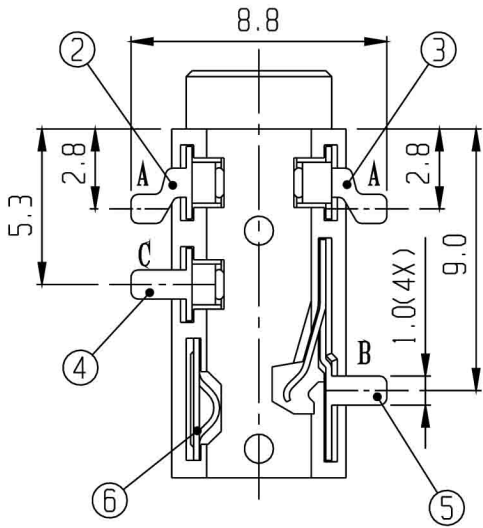


PCB LAYOUT



SCHEMATIC



RoHS Compliance

NO	PART	MATERIAL	QTY	REMARKS	NO	PART	MATERIAL	QTY	REMARKS
5	SPRING PLATE	P B S	1	Ag PLATED	6	SPRING PLATE	BRASS	1	Ni PLATED
3	SPRING PLATE	P B S	1	Ag PLATED	4	SPRING PLATE	P B S	1	Ag PLATED
1	FRAME	NYLON 6T	1		2	SPRING PLATE	P B S	1	Ag PLATED

ISSUED	SPECIFICATION	TITLE: 3.5mm SMD STEREO JACK		
	RATING: DC 30V 0.3A	MODEL NO: SCJ-3564-SMT-D		
	CONTACT RESISTANCE: 50mΩ max.			
	INSULATION RESISTANCE: 100MΩ at 500V DC	TOLERANCE	UNIT: MM	DWN. <i>hoo</i>
	WITHSTAND VOLTAGE: AC 500V for 1 minute	UP TO 1.0:±0.1	SCALE: 4:1	CHK'D. <i>hoo</i>
	OPERATION FORCE: REFER ATTACH SPECIFICATION	1.0 TO 10.0:±0.2	VERSION: 01	APPD. <i>hoo</i>
	SWITCHING LIFE: 5,000 cycles min.	OVER 10.0:±0.3	DRWG NO:	

BY: *[Signature]*
DATE: 24-JAN-2007

