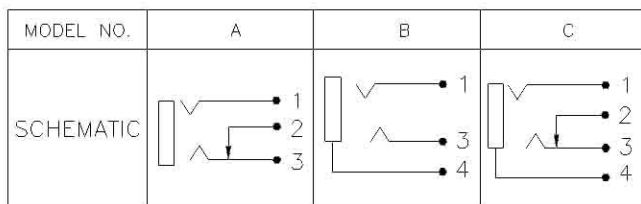
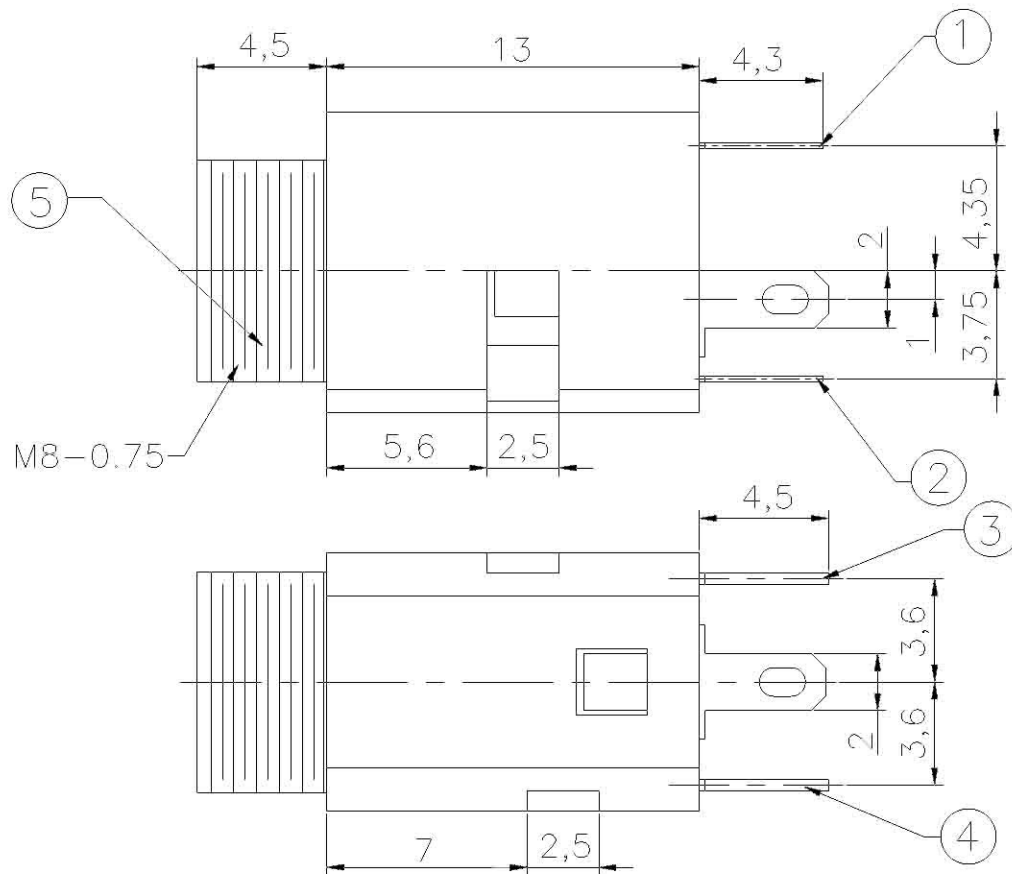


P.C.B. HOLE LAYOUT
(BOTTOM VIEW)



5	BODY	P.B.T.	BLACK
4	EARTH TERMINAL	PHOSPHOR BRONZE t=0.4	Sn PLATED
3	TERMINAL 3	BRONZE t=0.4	Sn PLATED
2	TERMINAL 2	PHOSPHOR BRONZE t=0.2	Sn PLATED
1	TERMINAL 1	PHOSPHOR BRONZE t=0.2	Sn PLATED
NO.	NAME	MATERIAL	FINISH

TOLERANCE	UNITS	NAME (INTENDED USE)	VIMEX INTERNATIONAL CORPORATION		
0~6±0.1	X.°±1.5°	PART NO. (INTENDED USE) SCJ-0352-2	TITLE: CUSTOMER		
6~20±0.2	.X°±1°		APPD:	DWG NO.:	
20~90±0.3, XX°±0.5°	FINISH	Q'TY	CHKD:	2001-0370-001	
		DR:	CH 2001/9/17	SCALE	SHEET
				N/A	1/1
				REV.	A