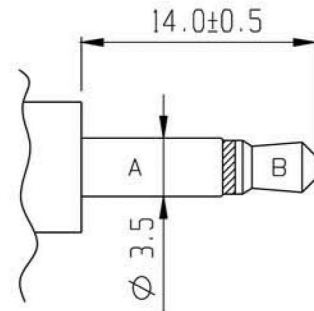
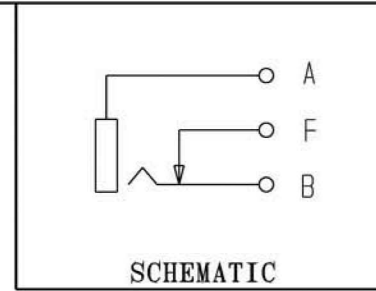
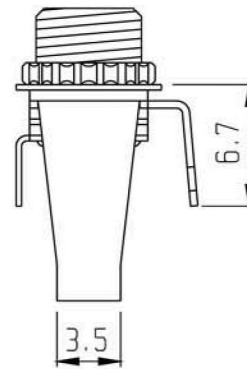
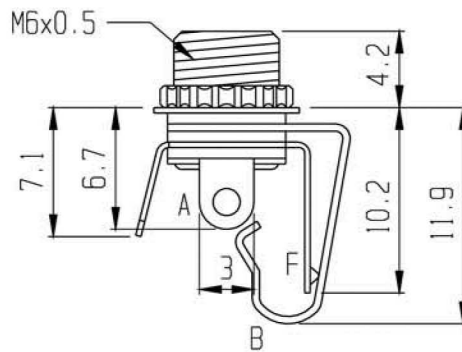


RoHS  
Compliance



MATING PLUG



NO	PART	MATERIAL	QTY	REMARKS	NO	PART	MATERIAL	QTY	REMARKS
7	MESON	PP	1		8	MESON	PHENOL RESIN	2	NATURAL
5	TERMINAL	SPCC	1	Ni PLATED	6	TERMINAL	SPCC	1	Ni PLATED
3	MESON	SPCC	1	Ni PLATED	4	TERMINAL	SPCC	1	Ni PLATED
1	FRAME	BRASS	1	Ni PLATED	2	NUT	BRASS	1	Ni PLATED

ISSUED		SPECIFICATION			TITLE: MONO TYPE EARPHONE JACK (22)				
		RATING: DC 30V 0.3A			MODEL NO: SCJ-0351-1				
		CONTACT RESISTANCE: 50mΩ max.							
		INSULATION RESISTANCE: 100MΩ AT 500V DC			TOLERANCE	UNIT: MM	DWN.	Jui	
		WITHSTAND VOLTAGE: AC 500V for 1 minute			UP TO 1.0:±0.1	SCALE: 2:1	CHK'D.	m	
		OPERATION FORCE: REFER ATTACH SPECIFICATION			1.0 TO 10.0:±0.2	VERSION: 1	APPD.	Gneyson	
		SWITCHING LIFE: 5K cycles (15-18 cycles/min unloading)			OVER 10.0:±0.3	DRWG NO:			

BY: Gneyson  
DATE: 12-May-2010

