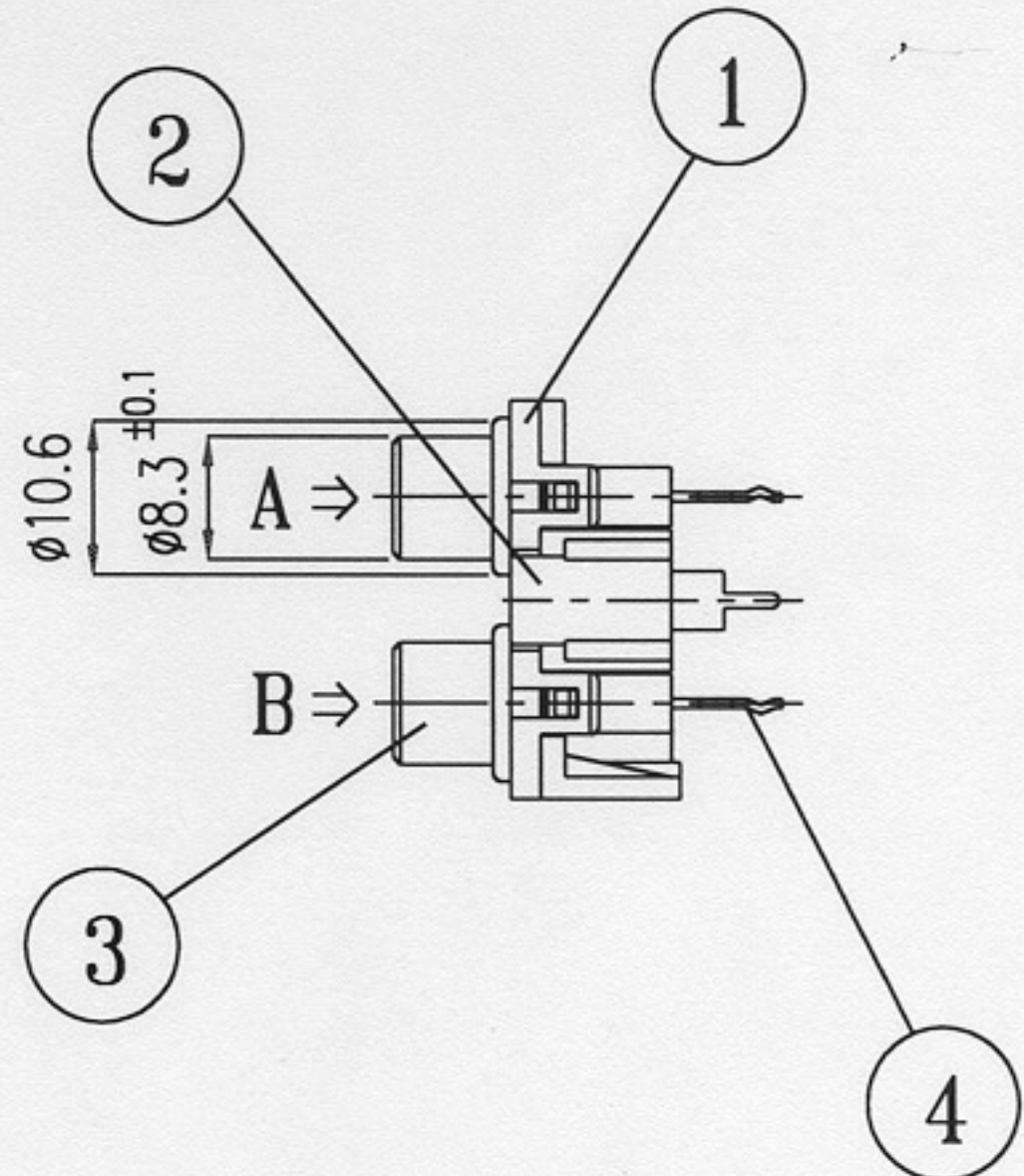
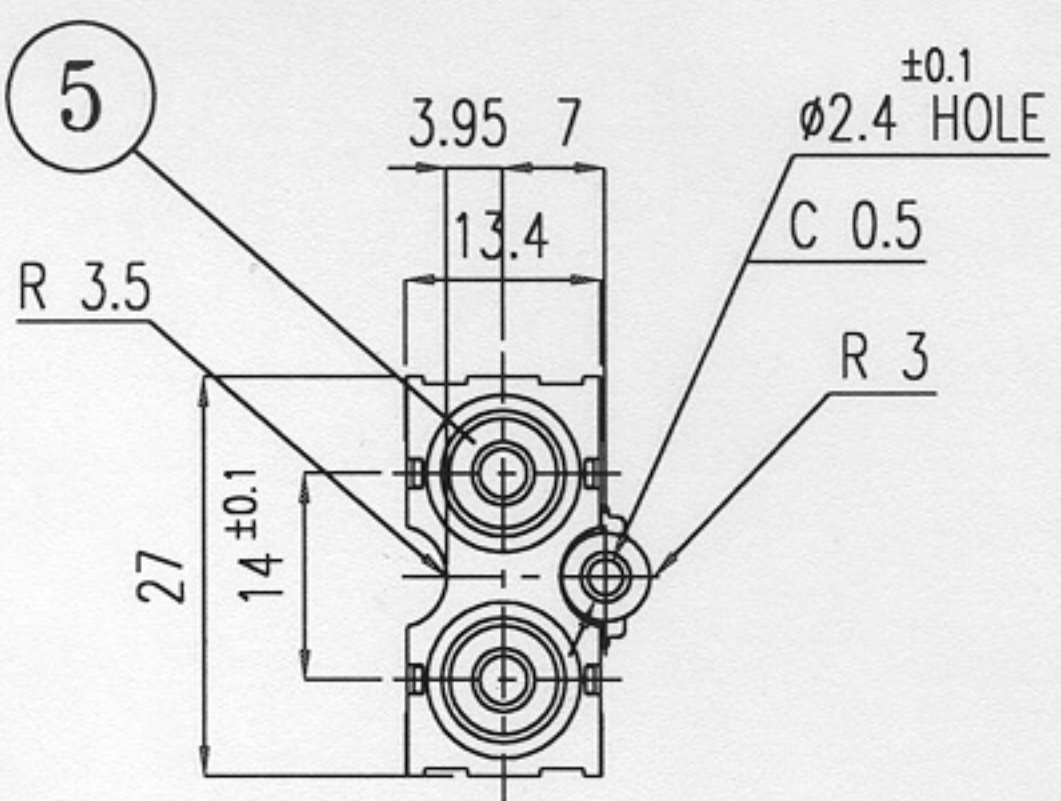
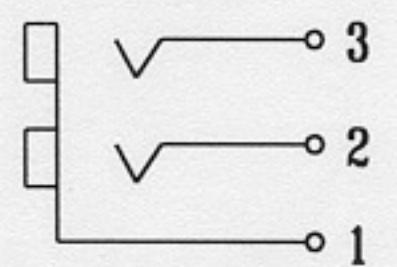


ALLOWANCE			MARK	DATE	DESCRIPTION OF REVISION	APPROVED
UNDER 3	± 0.1	△	99. 7.24	ABS 94HB → NORYL 94V1 CHANGE		
3 TO 6	± 0.2					
6 TO 18	± 0.3	△	. .			
18 TO 50	± 0.4	△	. .			
50 OVER	± 0.5	△	. .			

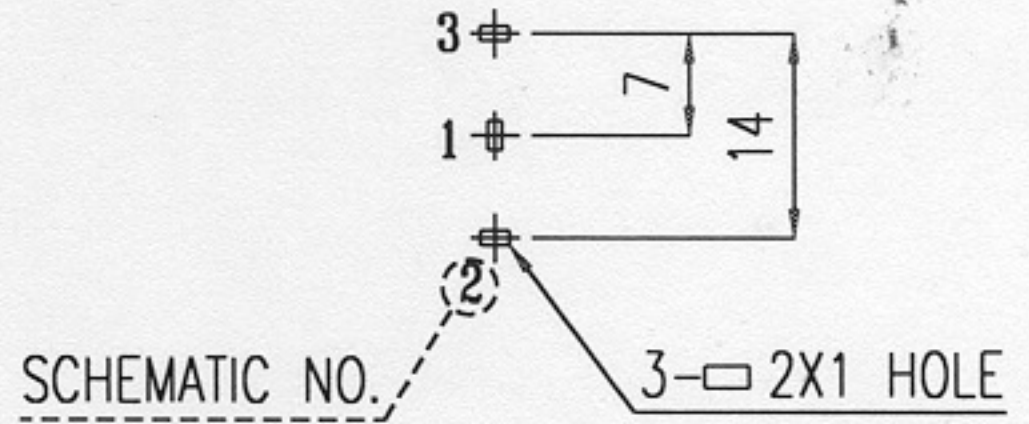
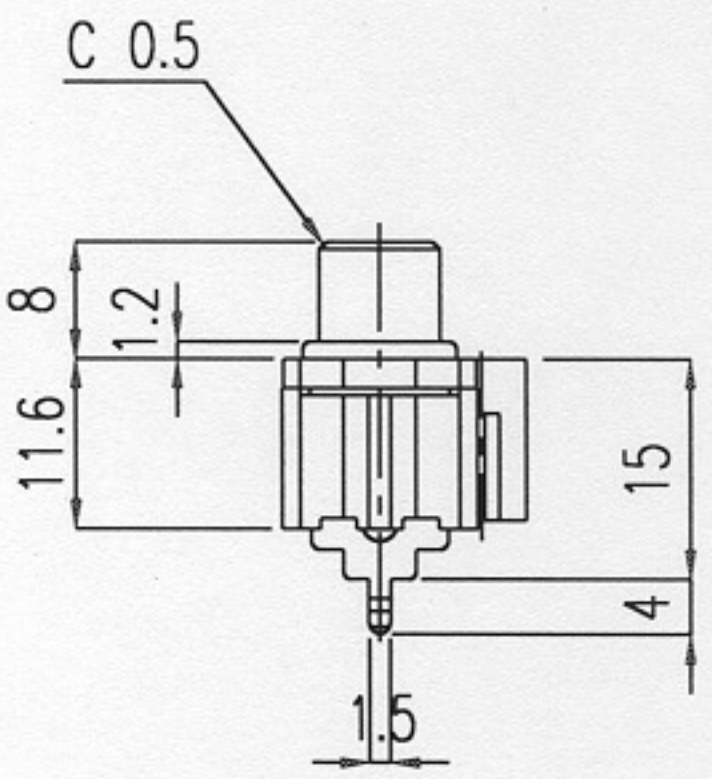


SCHEMATIC

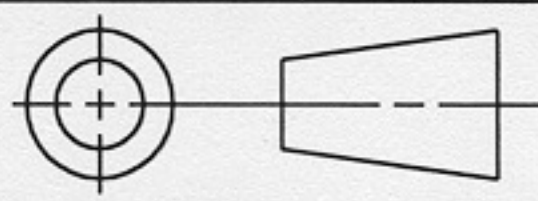


PCB-MTG

(Solder surface)



5	WASHER	ABS	94HB	2	2M616	A: W B: R
4	PIN	C2680 H	0.6t	2	2P017	NI-PLATING
3	CAP GROUND	C2600 1-0	0.4t	1	1P198	NI-PLATING
2	BASE	ABS	94HB	1	2M825	NP
1	COVER	△ ABS NORYL	94V1 94HB	1	2M824	BLACK
NO	PART NAME	MATERIAL		QUANTITY	PART NO	REMARKS



SCALE 1/1 DIMENSION m/m

REVISION	DRAWING	CHECKED	APPROVED	NAME TITLE	PIN JACK BOARD(2P)
1.0	1998.1.10	1998.1.10	1998.1.10	DRAWING NUMBER	