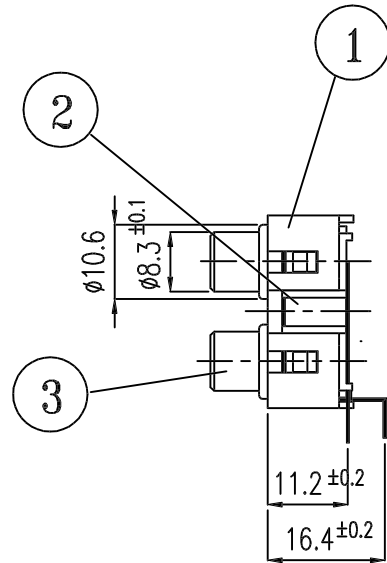
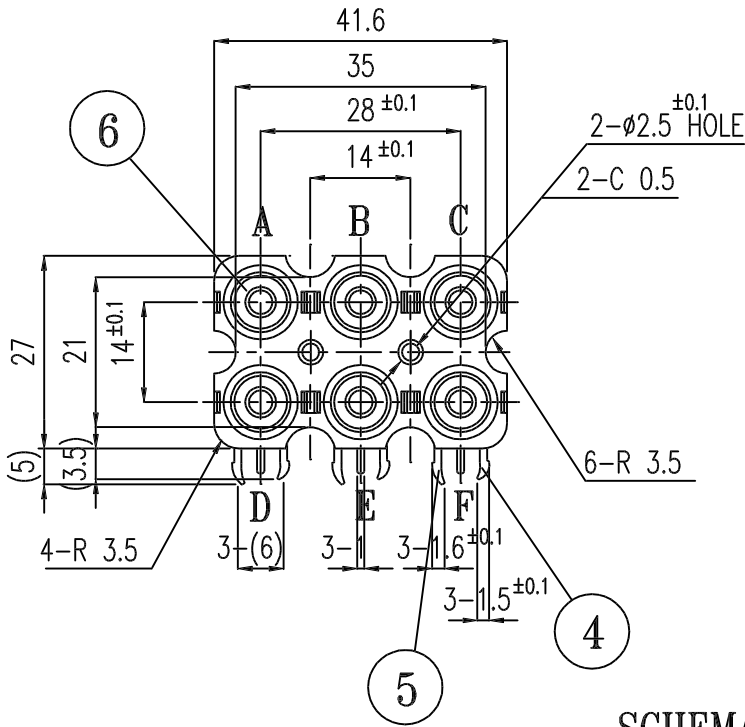
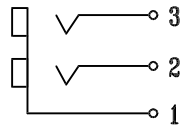


ALLOWANCE	MARK	DATE	DESCRIPTION OF REVISION	APPROVED
UNDER 3 ± 0.1	△	. .		
3 TO 6 ± 0.2	△	. .		
6 TO 18 ± 0.3	△	. .		
18 TO 50 ± 0.4	△	. .		
50 OVER ± 0.5	△	. .		

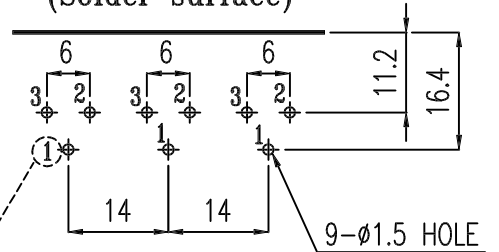


SCHEMATIC



PCB-MTG

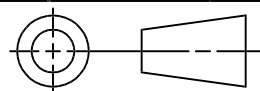
(Solder surface)



SCHEMATIC NO. _____

*H:ORANGE

NO	PART NAME	MATERIAL	QUANTITY	PART NO	REMARKS
6	WASHER	ABS 94HB	6	2M616	A: H B: W C: W D: H E: R F: R
5	PIN-L	C2680 1/2H 0.4t	3	2P167	NI-PLATING
4	PIN-S	C2680 1/2H 0.4t	3	2P168	NI-PLATING
3	CAP GROUND	C2600 1-0 0.4t	3	1P197	AU-PLATING
2	BASE	ABS 94HB	3	2M749	NP
1	COVER	ABS 94HB	1	2M733	BLACK



SCALE

1/1

DIMENSION m/m

REVISION	DRAWING	CHECKED	APPROVED	NAME TITLE	PIN JACK BOARD(6P)
1. 1	1994.12.1	1994.12.1	1994.12.1	DRAWING NUMBER	JK060092SG