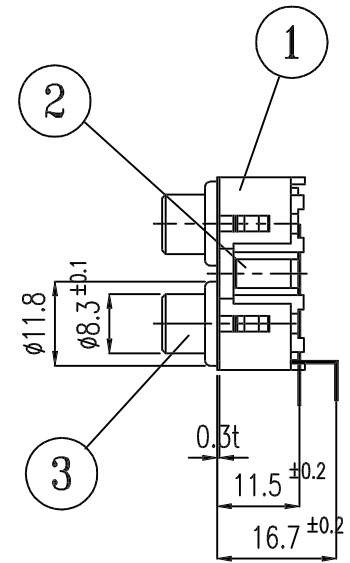
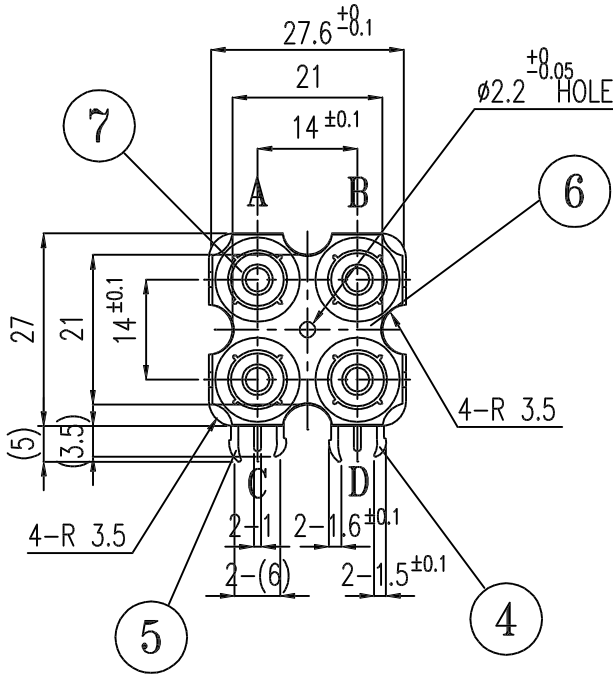
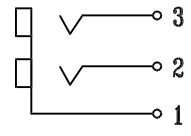


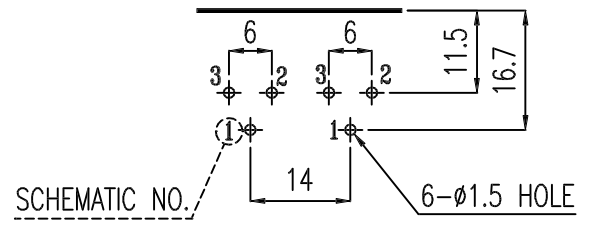
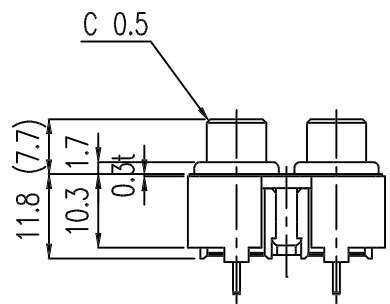
| ALLOWANCE | MARK | DATE | DESCRIPTION OF REVISION | APPROVED |
|----------------|------|------|-------------------------|----------|
| UNDER 3 ± 0.1 | △ | . . | | |
| 3 TO 6 ± 0.2 | △ | . . | | |
| 6 TO 18 ± 0.3 | △ | . . | | |
| 18 TO 50 ± 0.4 | △ | . . | | |
| 50 OVER ± 0.5 | △ | . . | | |



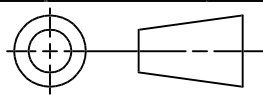
SCHMATIC



PCB-MTG
(Solder surface)



| | | | | | | |
|----|---------------|------------|------|----------|---------|------------------------|
| 7 | WASHER | ABS | 94HB | 4 | 2M616 | A: W B: W C: R D: R |
| 6 | GND PLATE(4P) | C2600 1-0 | 0.3t | 1 | 2P228 | NI-PLATING |
| 5 | PIN-L | C2680 1/2H | 0.4t | 2 | 2P167 | NI-PLATING |
| 4 | PIN-S | C2680 1/2H | 0.4t | 2 | 2P168 | NI-PLATING |
| 3 | CAP GROUND | C2600 1-0 | 0.4t | 2 | 1P197 | NI-PLATING |
| 2 | BASE | ABS | 94HB | 2 | 2M749 | NP |
| 1 | COVER | ABS | 94HB | 1 | 2M732 | BLACK |
| NO | PART NAME | MATERIAL | | QUANTITY | PART NO | REMARKS |



SCALE 1/1 DIMENSION m/m

| REVISION | DRAWING | CHECKED | APPROVED | NAME TITLE | PIN JACK BOARD(4P) |
|----------|------------|------------|------------|----------------|--------------------|
| 1. 2 | | | | DRAWING NUMBER | |
| | 2001.01.28 | 2001.01.28 | 2001.01.28 | | JK0401310N |