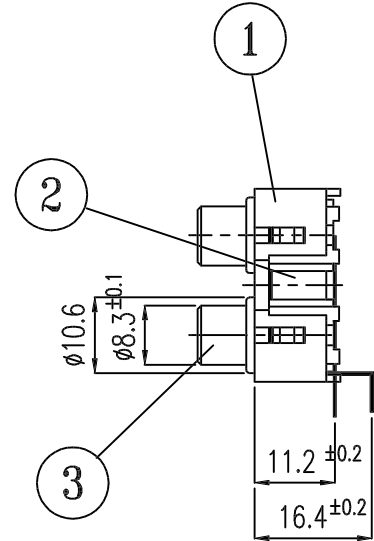
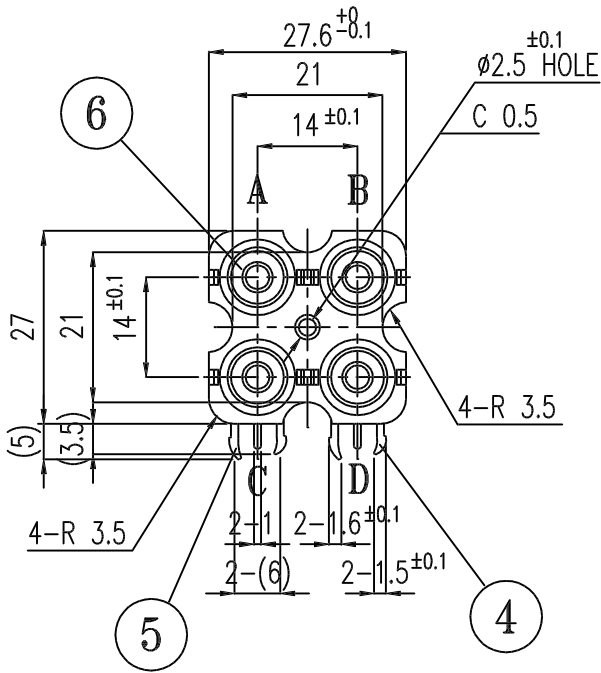
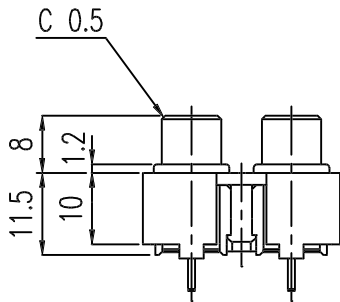
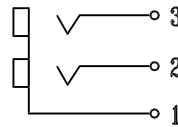


ALLOWANCE	MARK	DATE	DESCRIPTION OF REVISION	APPROVED
UNDER 3 ± 0.1	△	. .		
3 TO 6 ± 0.2	△	. .		
6 TO 18 ± 0.3	△	. .		
18 TO 50 ± 0.4	△	. .		
50 OVER ± 0.5	△	. .		

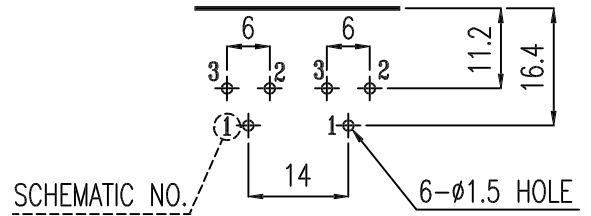


SCHMATIC

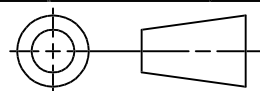


PCB-MTG

(Solder surface)



NO	PART NAME	MATERIAL	QUANTITY	PART NO	REMARKS
6	WASHER	ABS 94HB	4	2M616	A: Y B: G C: R D: U
5	PIN-L	C2680 1/2H 0.4t	2	2P167	NI-PLATING
4	PIN-S	C2680 1/2H 0.4t	2	2P168	NI-PLATING
3	CAP GROUND	C2600 1-0 0.4t	2	1P197	AU-PLATING
2	BASE	ABS 94HB	2	2M749	NP
1	COVER	ABS 94HB	1	2M732	BLACK



SCALE 1/1 DIMENSION m/m

REVISION	DRAWING	CHECKED	APPROVED	NAME TITLE	PIN JACK BOARD(4P)
1.2	2001.01.28	2001.01.28	2001.01.28	DRAWING NUMBER	JK040091SG