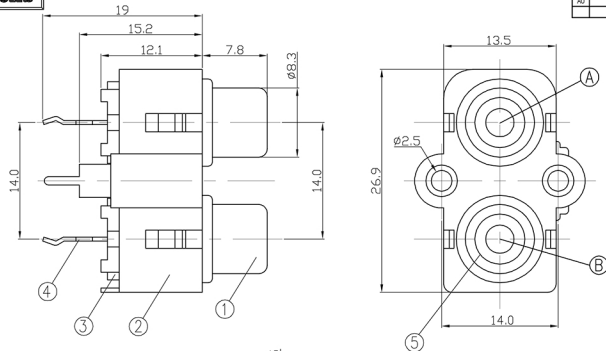


REV.	EDN. NO.	DESCRIPTION	DATE	DRAWN	APPROVED
A0		NEW RELEASE	2017-05-19	Liusuqiong	Robinhe



NOTES:
 Current rating: 1A
 Voltage rating: 30V DC
 Withstand voltage: 500V AC/minute
 Contact resistance: 30mΩ Max
 Insulation resistance: 100MΩ Min
 Mating Force: 30N MAX
 Unmating Force: 5-30N
 Durability: 1000 CYCLES
 Working temperature: -25°C ~ +85°C

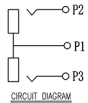
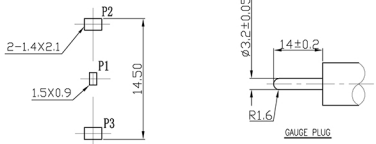


TABLE	COLOR LAYOUT		OUTER CONDUCTOR PLATING	PART NUMBER
	A	B		
	WHITE	RED	CuSn	JK0201140N
	WHITE	RED	Au	JK0201140G

RECOMMENDED PCB LAYOUT T=1.6mm
 TOP VIEW TOLERANCE: ±0.05

5	WASHER	PBT	SEE TABLE	2	PCS
4	CONTACT NEEDLE	BRASS	CuSn	2	PCS
3	INSIDE HOUSING	ABS	WHITE	1	PCS
2	HOUSING	ABS	BLACK	1	PCS
1	OUTER CONDUCTOR	BRASS	SEE TABLE	1	PCS
NO.	NAME	MATERIAL SPECIFICATION	PLATING & COLOR	Q'TY	

GENERAL TOLERANCES (UNLESS SPECIFIED)		ANGLE PROJECTION	SIZE
DIMENSIONS		⊕	A4
X. = ±0.50	X. = ±5°	DRAWN BY	Liusuqiong 2017/05/19
X.X = ±0.30	X.X = ±3°	CHECKED BY	Robinhe 2017/05/19
X.XX = ±0.20	X.XX = ±2°	APPROVED BY	Robinhe 2017/05/19
X.XXX = ±0.10	X.XXX = ±1°		

		ITEM	AV PIN JACK 2 Pole V/A DIP TYPE		
		PART NO	JK020114 SERIES	SCALE	1:1
DRAWING NO	C17xxx	SHEET	1 OF 1	TYPE	Ⓢ