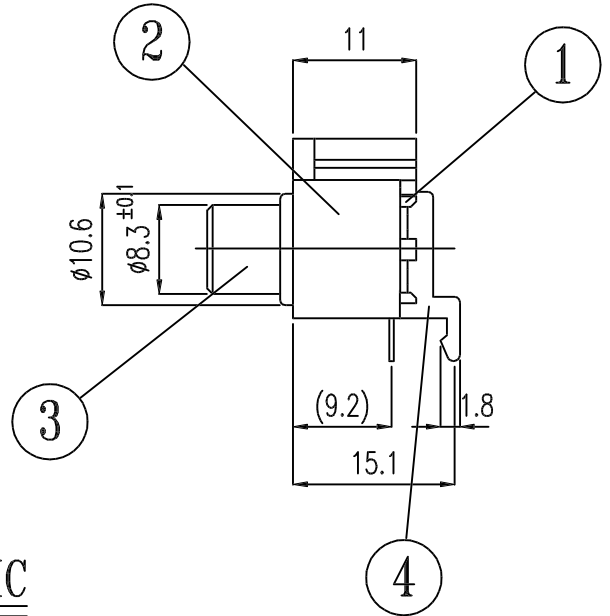
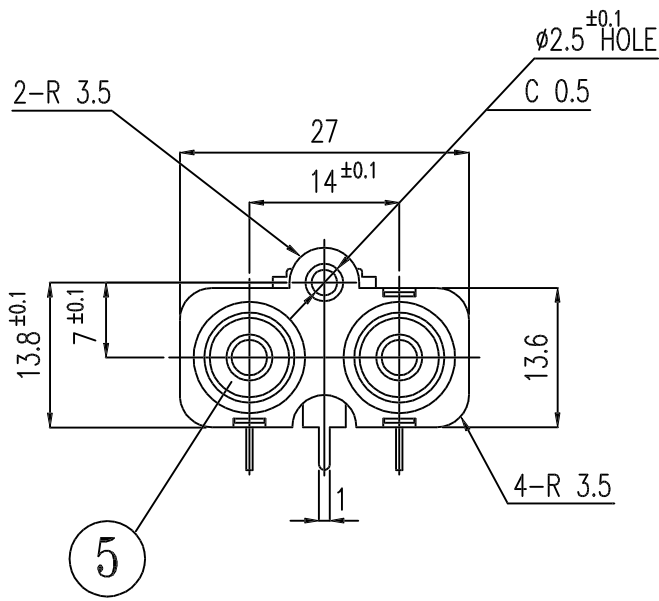
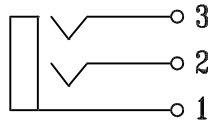


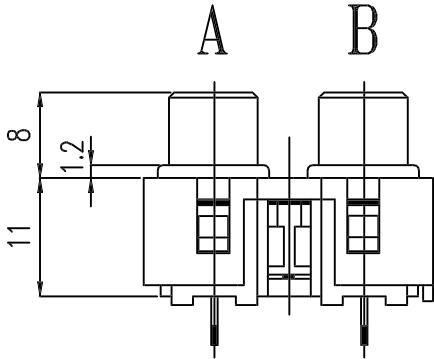
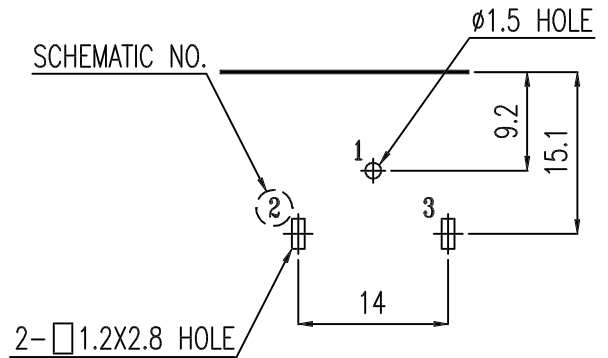
ALLOWANCE	MARK	DATE	DESCRIPTION OF REVISION	APPROVED
UNDER 3 ± 0.1	△	. .		
3 TO 6 ± 0.2	△	. .		
6 TO 18 ± 0.3	△	. .		
18 TO 50 ± 0.4	△	. .		
50 OVER ± 0.5	△	. .		



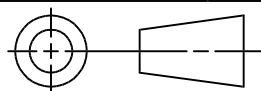
SCHEMATIC



PCB-MTG  
(solder surface)



5	WASHER	ABS	94HB	2	2M616	A: R B: W
4	PIN	C2680 H	0.6t	2	2P205	NI-PLATING
3	CAP GROUND	C2600 1-0	0.4t	1	1P198	NI-PLATING
2	COVER	ABS	94HB	1	2M731	BLACK
1	BASE	ABS	94HB	2	2M781	NP
NO	PART NAME	MATERIAL		QUANTITY	PART NO	REMARKS



SCALE 1/1 DIMENSION m/m

REVISION	DRAWING	CHECKED	APPROVED	NAME TITLE	PIN JACK BOARD (2P)
1.2	1997.1.23	1997.1.23	1997.1.23	DRAWING NUMBER	
					JK0200500N