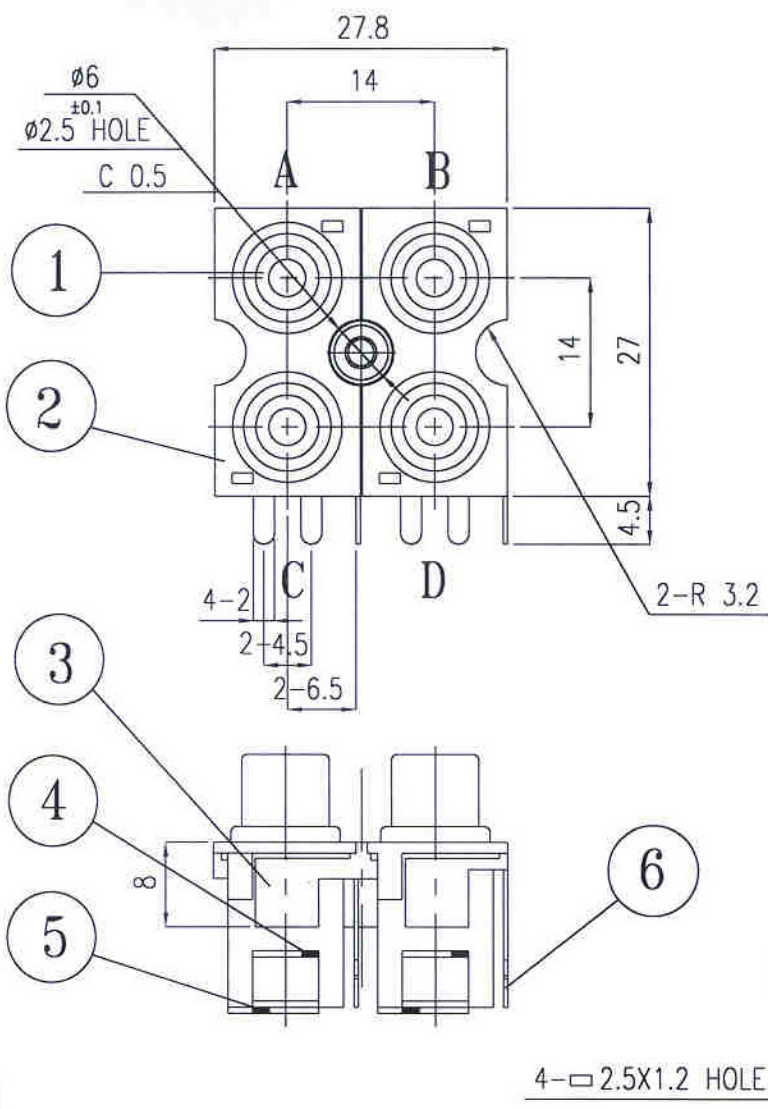
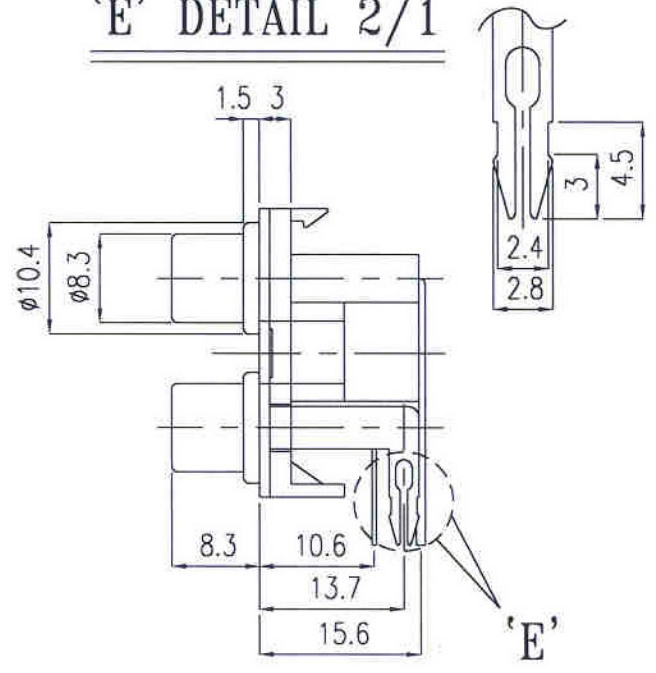


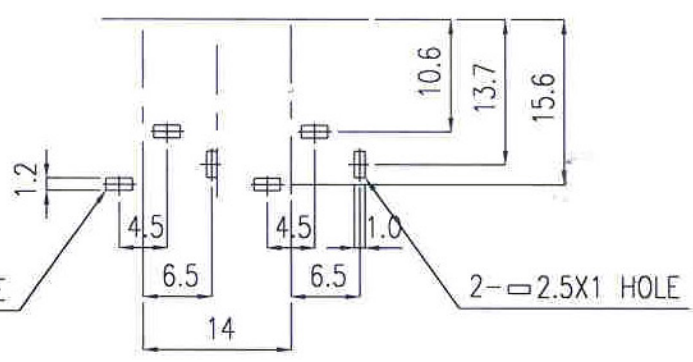
ALLOWANCE		MARK	DATE	DESCRIPTION OF REVISION	APPROVED
UNDER 6	± 0.05	△	. .		
6 TO 18	± 0.1	△	. .		
18 TO 32	± 0.15	△	. .		
32 TO 50	± 0.2	△	. .		
50 OVER	± 0.25	△	. .		



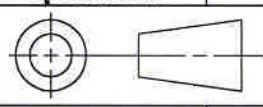
'E' DETAIL 2/1



PCB-MTG



6	CAP-GROUND	C2600 1-0	0.4t	2	P191	-PLATING
5	PIN-L	C2680 1/2H	0.6t	2	P036	NI-PLATING
4	PIN-S	C2680 1/2H	0.6t	2	P037	NI-PLATING
3	BASE	ABS	94HB	1	M664	NP
2	COVER	ABS	94HB	2	M661	BLACK
1	WASHER	ABS	94HB	4	M616	A C B D
NO	PART NAME	MATERIAL		QUANTITY	PART NO	REMARKS



SCALE 1/1 DIMENSION m/m

DRAWING	CHECKED	JUDGING	APPROVED	NAME TITLE	PIN JACK BOARD(4P)
1992.1.27	1992.1.27			DRAWING NUMBER	