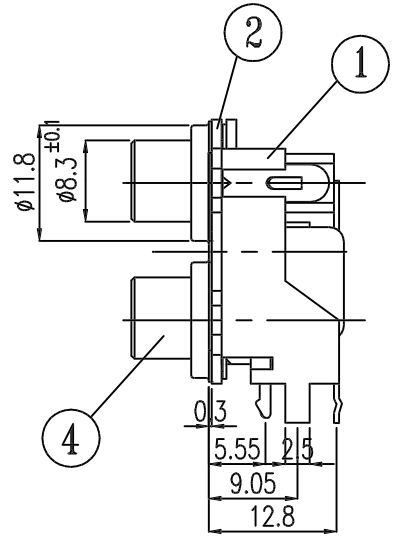
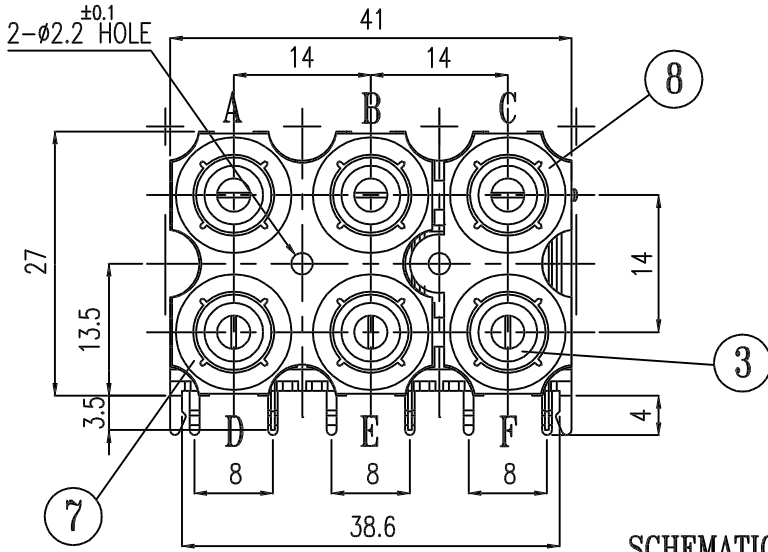
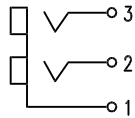


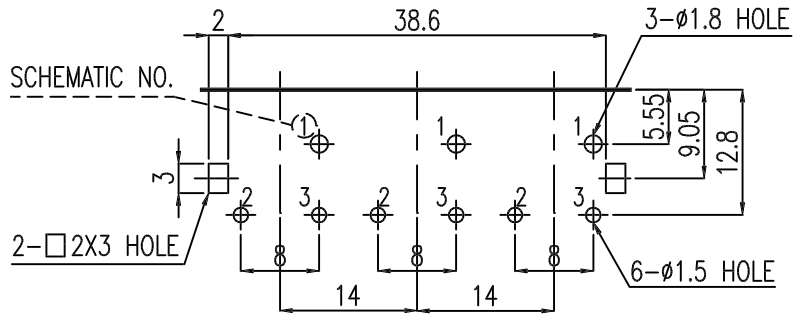
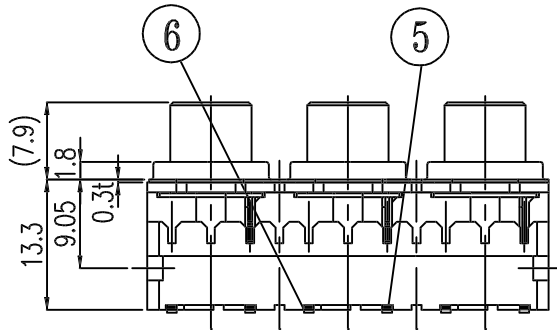
ALLOWANCE	MARK	DATE	DESCRIPTION OF REVISION	APPROVED
UNDER 3 ± 0.1	△	. .		
3 TO 6 ± 0.2	△	. .		
6 TO 18 ± 0.3	△	. .		
18 TO 50 ± 0.4	△	. .		
50 OVER ± 0.5	△	. .		



**SCHMATIC**

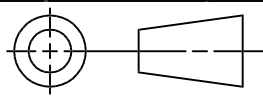


**PCB-MTG**  
(Solder surface)



\*H:ORANGE U:BLUE

8	GND PLATE(2P)	C2600 1-0	0.3t	1	2P229	NI-PLATING
7	GND PLATE(4P)	C2600 1-0	0.3t	1	2P228	NI-PLATING
6	PIN-S	C2680 H	0.5t	3	2P118	SN-PLATING
5	PIN-L	C2680 H	0.5t	3	2P117	SN-PLATING
4	CAP GROUND	C2600 1-0	0.4t	3	1P0981	AU-PLATING
3	WASHER	ABS	94HB	6	2M616	A: H B: W C: R D: G E: U F: R
2	COVER	ABS	94HB	1	2M772B2	BLACK
1	BASE	ABS	94HB	1	2M828	BLACK
NO	PART NAME	MATERIAL		QUANTITY	PART NO	REMARKS



SCALE 1/1 DIMENSION m/m

REVISION	DRAWING	CHECKED	APPROVED	NAME TITLE	PIN JACK BOARD(6P)
1.0	2003.07.09	2003.07.09	2003.07.09	DRAWING NUMBER	
					JE060D61HC