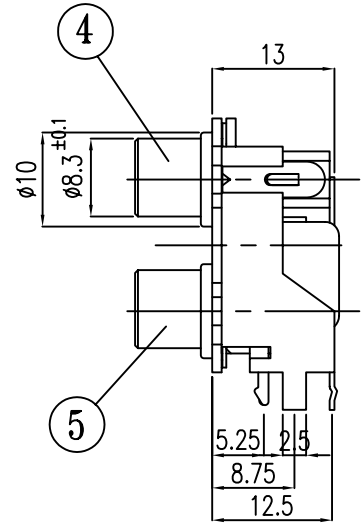
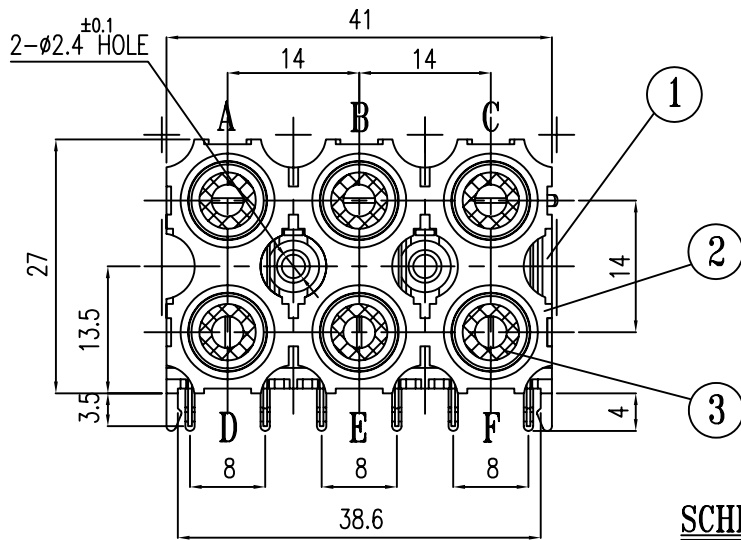
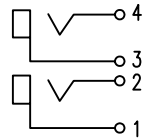


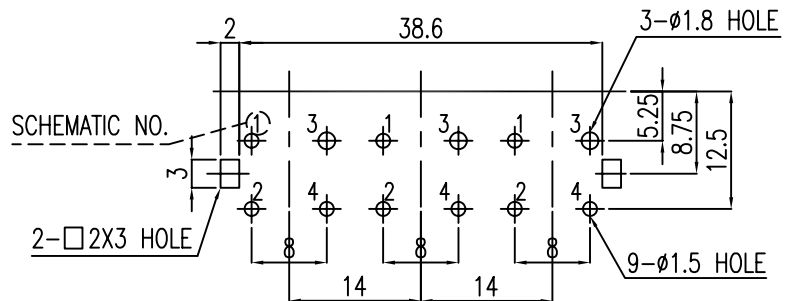
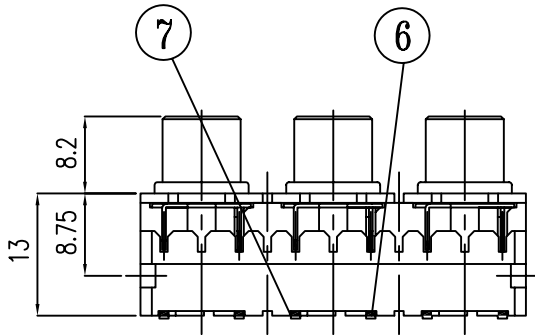
ALLOWANCE	MARK	DATE	DESCRIPTION OF REVISION	APPROVED
UNDER 3 ± 0.1	△	. .		
3 TO 6 ± 0.2	△	. .		
6 TO 18 ± 0.3	△	. .		
18 TO 50 ± 0.4	△	. .		
50 OVER ± 0.5	△	. .		



SCHEMATIC



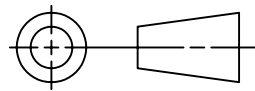
PCB-MTG
(Solder surface)



*G:GREEN R:RED U:BLUE

7	PIN-S	C2680 H	0.5t	3	2P118	SN-PLATING
6	PIN-L	C2680 H	0.5t	3	2P117	SN-PLATING
5	CAP-S	C2600 1-0	0.4t	3	1P100	AU-PLATING
4	CAP-L	C2600 1-0	0.4t	3	1P099	AU-PLATING
3	WASHER	ABS	94HB	6	2M616	A: G B: R C: U D: G E: R F: U
2	COVER	ABS	94HB	1	2M772B2	BLACK
1	BASE	ABS	94HB	1	2M828	BLACK

NO	PART NAME	MATERIAL	QUANTITY	PART NO	REMARKS
----	-----------	----------	----------	---------	---------



SCALE 1/1 DIMENSION m/m

REVISION	DRAWING	CHECKED	APPROVED	NAME TITLE	PIN JACK BOARD(6P)
1.0	2001.09.13	2001.09.13	2001.09.13	DRAWING NUMBER	
					JE0600611A