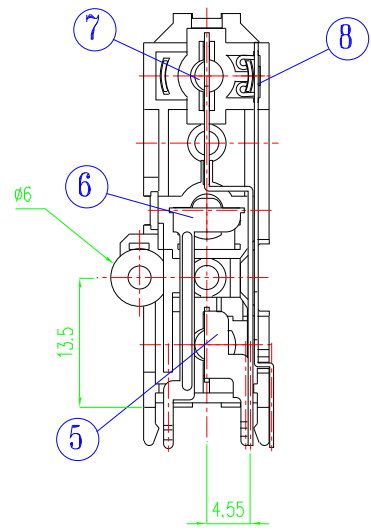
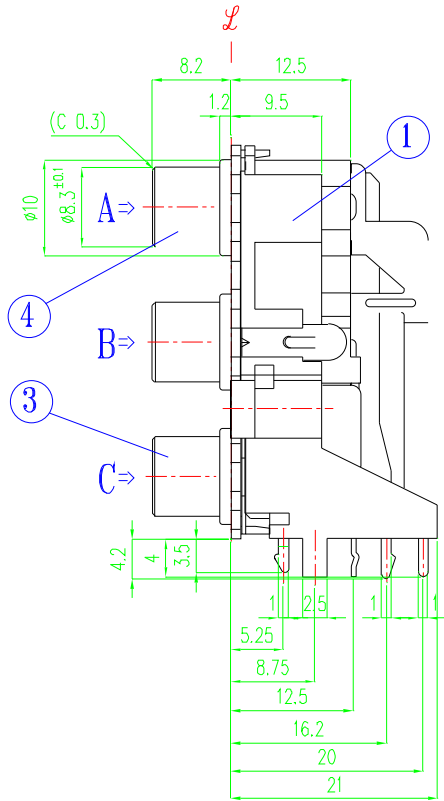
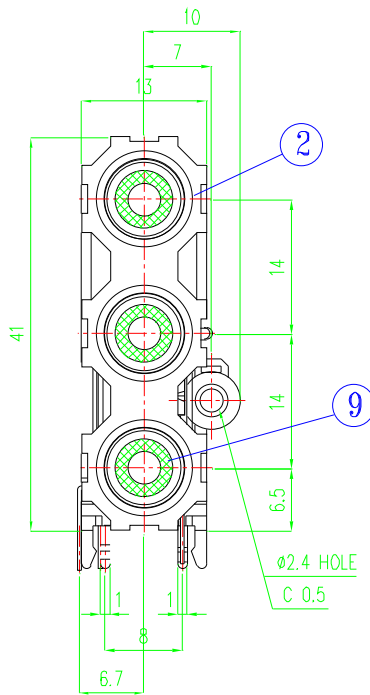
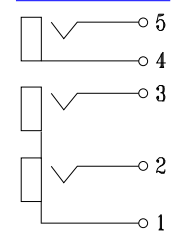


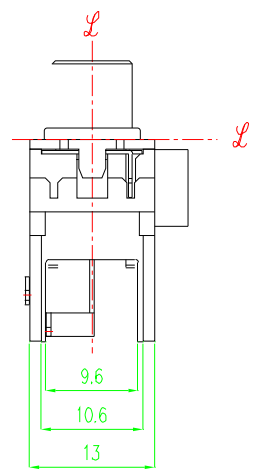
ALLOWANCE	MARK	DATE	DESCRIPTION OF REVISION	APPROVED
UNDER 3	± 0.1	△	. .	
3 TO 6	± 0.2	△	. .	
6 TO 18	± 0.3	△	. .	
18 TO 50	± 0.4	△	. .	
50 OVER	± 0.5	△	. .	



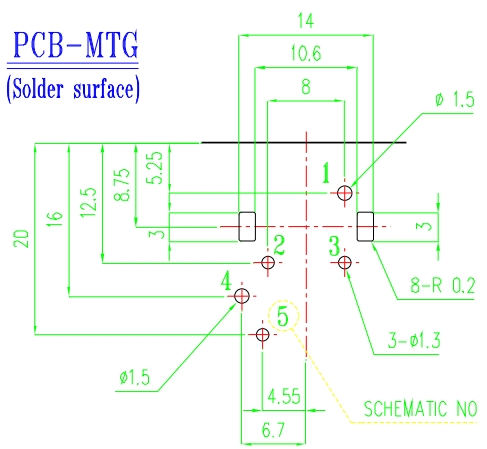
**SCHEMATIC**



\*R: RED



**PCB-MTG**  
(Solder surface)



NO	PART NAME	MATERIAL	QUANTITY	PART NO	REMARKS
9	WASHER	ABS 94HB	3	2M616	A:R B:R C:R
8	CAP-GROUND	C2680 1/2H 0.4t	1	2P333	NI-PLATING
7	PIN-XL	C2680 H 0.5t	1	2P332	NI-PLATING
6	PIN-L	C2680 H 0.5t	1	2P117	TIN-PLATING
5	PIN-S	C2680 H 0.5t	1	2P118	TIN-PLATING
4	SINGLE CAP	C2600 1-0 0.3t	1	1P331	AU-PLATING
3	DOUBLE CAP	C2600 1-0 0.4t	1	1P098	AU-PLATING
2	COVER	ABS 94HB	1	2M612	BLACK
1	BASE	ABS 94HB	1	2M611	BLACK

				SCALE 2/1	DIMENSION m/m
REVISION	DRAWING	CHECKED	APPROVED		
1. 1	L.M.S	B. Emmerich		NAME TITLE	PIN JACK BOARD(3P)
	1997.10.23	2001.10.05	2001.10.05	DRAWING NUMBER	JE030039RG