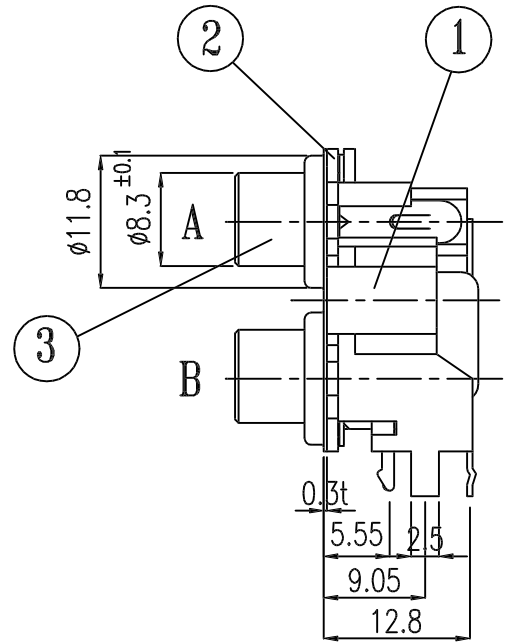
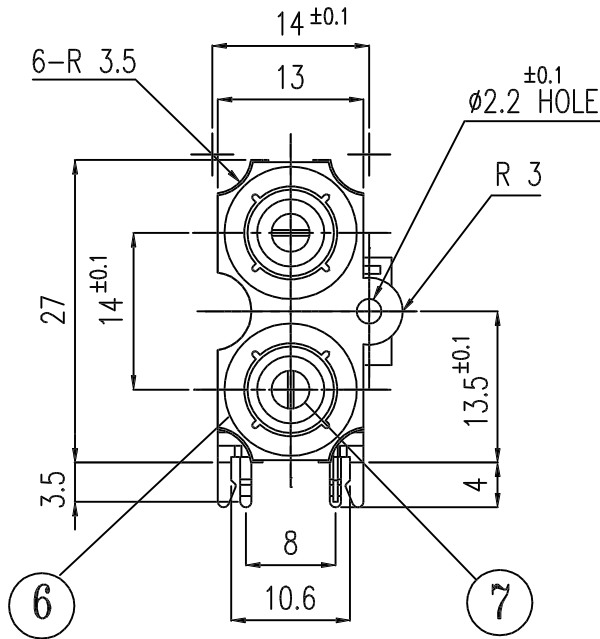
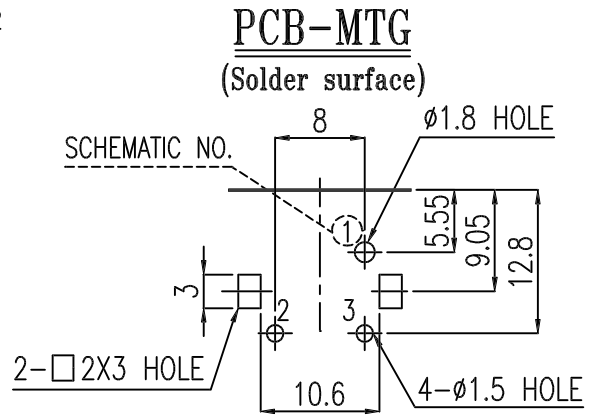
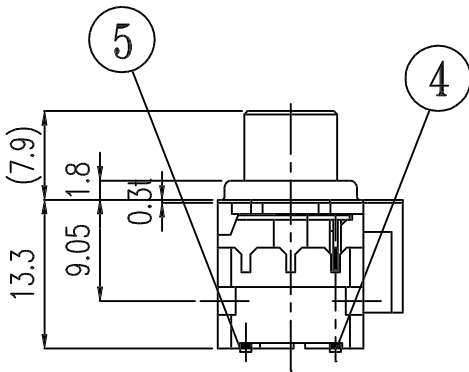
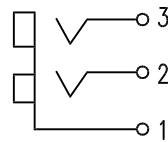


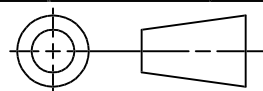
ALLOWANCE	MARK	DATE	DESCRIPTION OF REVISION	APPROVED
UNDER 3 ± 0.1	△	. .		
3 TO 6 ± 0.2	△	. .		
6 TO 18 ± 0.3	△	. .		
18 TO 50 ± 0.4	△	. .		
50 OVER ± 0.5	△	. .		



**SCHMATIC**



7	WASHER	ABS	94HB	2	2M616	A: W B: R
6	GND-PLATE(2P)	C2600 1-0	0.3t	1	2P229	NI-PLATING
5	PIN-S	C2680 H	0.5t	1	2P118	SN-PLATING
4	PIN-L	C2680 H	0.5t	1	2P117	SN-PLATING
3	CAP GROUND	C2600 1-0	0.4t	1	1P0981	NI-PLATING
2	COVER	ABS	94HB	1	2M772	BLACK
1	BASE	ABS	94HB	1	2M780	BLACK
NO	PART NAME	MATERIAL		QUANTITY	PART NO	REMARKS



SCALE 1/1 DIMENSION m/m

REVISION	DRAWING	CHECKED	APPROVED	NAME TITLE	PIN JACK BOARD(2P)
1.1				DRAWING NUMBER	JE020D59PN
	2001.09.13	2001.09.13	2001.09.13		