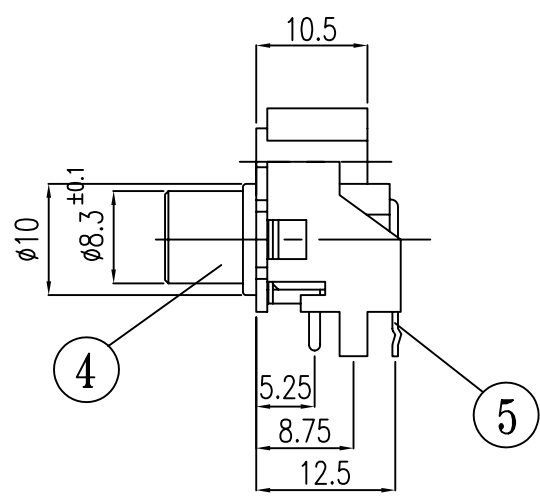
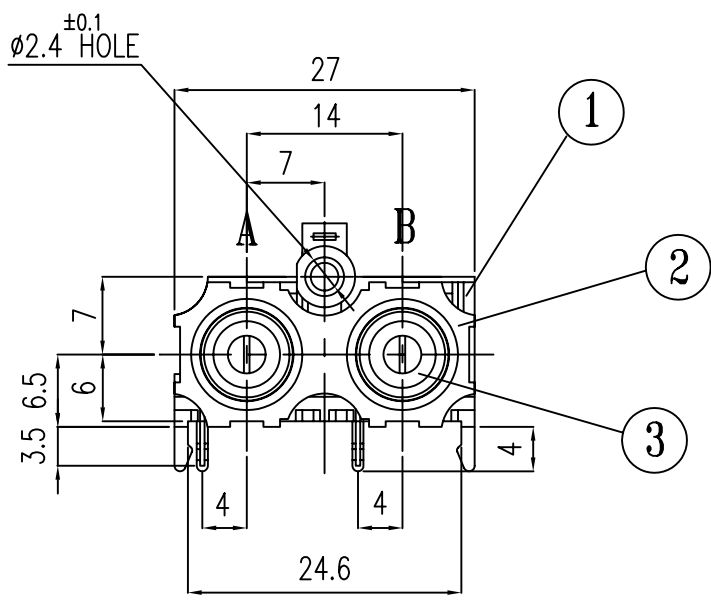
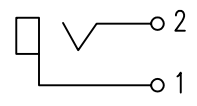


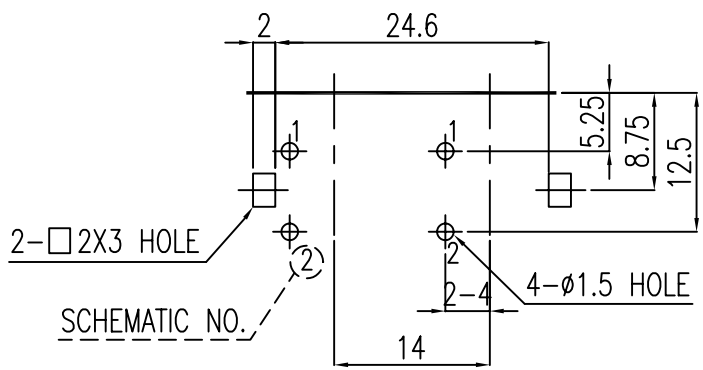
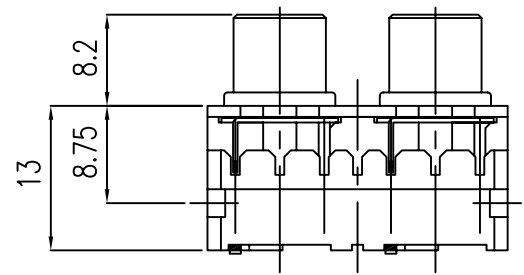
ALLOWANCE	MARK	DATE	DESCRIPTION OF REVISION	APPROVED
UNDER 6 ± 0.05	△	. .		
6 TO 18 ± 0.1	△	. .		
18 TO 32 ± 0.15	△	. .		
32 TO 50 ± 0.2	△	. .		
50 OVER ± 0.25	△	. .		



SCHEMATIC

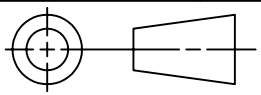


PCB-MTG
(Solder surface)



< RoHS Compliant >

5	PIN-S	C2680 H	0.5t	2	2P118	SN-PLATING
4	CAP-S	C2600 1-0	0.4t	2	1P100	AU-PLATING
3	WASHER	ABS	94HB	2	2M616	A: R B: W
2	COVER	ABS	94HB	1	2M772	BLACK
1	BASE	ABS	94HB	1	2M831	BLACK
NO	PART NAME	MATERIAL		QUANTITY	PART NO	REMARKS



SCALE 1/1 DIMENSION m/m

REVISION	DRAWING	CHECKED	APPROVED	NAME TITLE	PIN JACK BOARD(2P)
1.0	2001.09.13	2001.09.13	2001.09.13	DRAWING NUMBER	
					JE0201630G