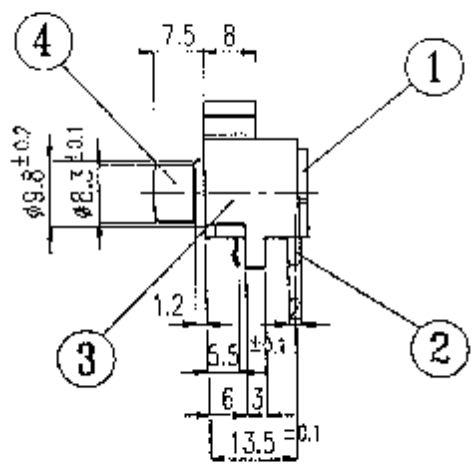
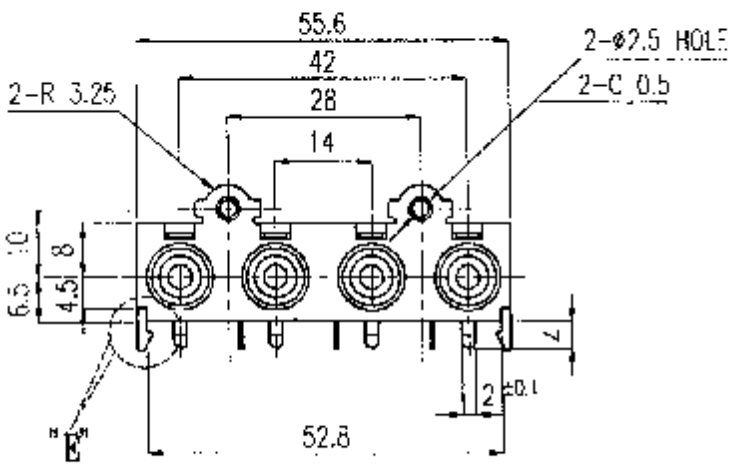
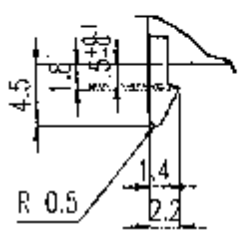


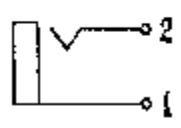
ALLOWANCE	MARK	DATE	DESCRIPTION OF REVISION	APPROVED
UNDER 3	± 0.1	△		
3 TO 6	± 0.2	△		
6 TO 18	± 0.3	△		
18 TO 50	± 0.4	△		
50 OVER	± 0.5	△		



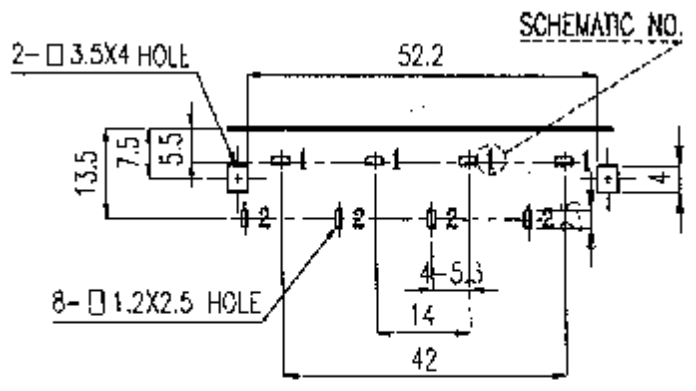
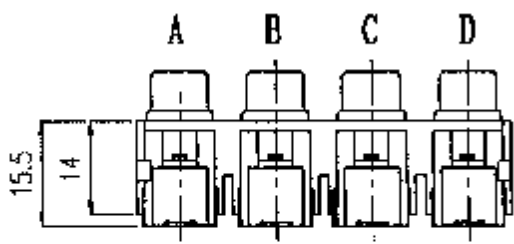
"E" DETAIL 2/1



SCHEMATIC



PCB MTG
(Solder surface)



4	CAP GROUND	C2600 1-0	0.4t	4	1P146	-PLATING
3	COVER	ACETAL		1	2M717	BLACK
2	PIN-S	C2680 H	0.5t	4	2P147	-PLATING
1	BASE	ACETAL		4	2M719 A; B; C; D;	

NO	PART NAME	MATERIAL	QUANTITY	PART NO	REMARKS
					SCALE 1/1
					DIMENSION m/m
REVISION	DRAWING	CHECKED	APPROVED	NAME TITLE	PIN JACK BOARD(4P)
1. 1				DRAWING NUMBER	
	1995.3.2	1995.3.2	1995.3.2		JC040100