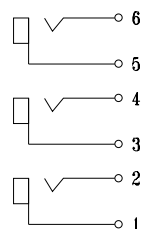
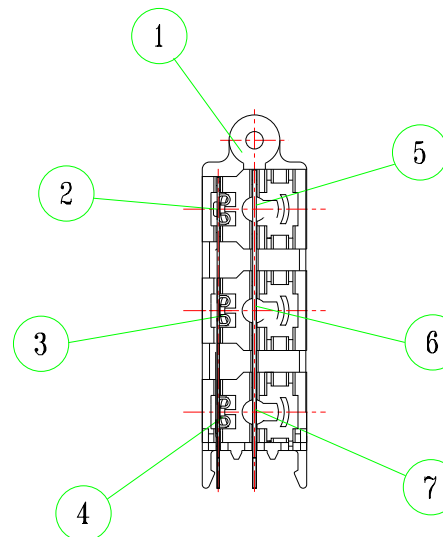
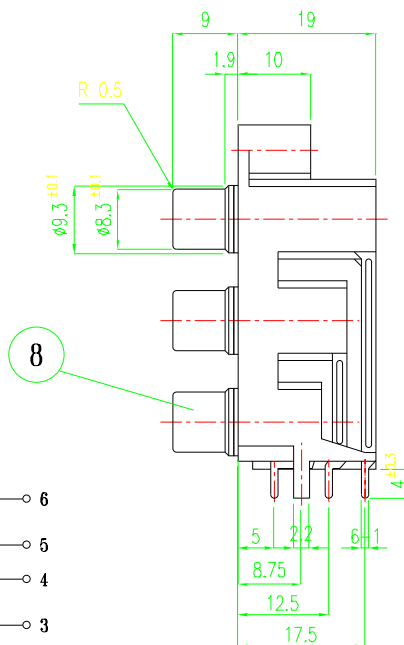
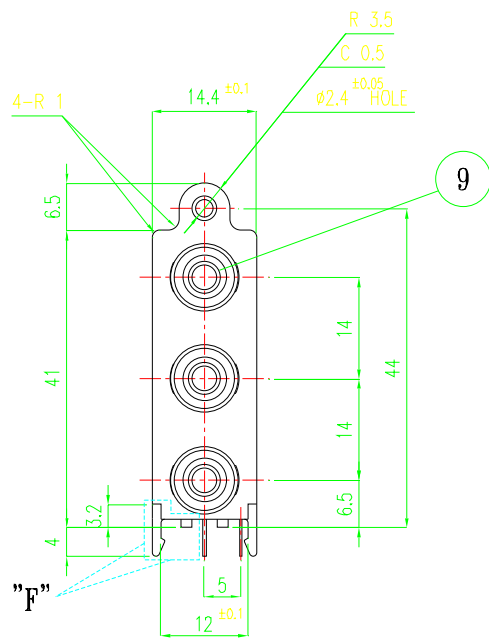
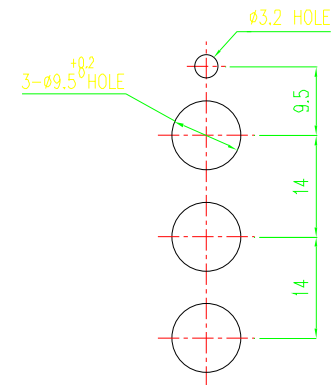


ALLOWANCE	MARK	DATE	DESCRIPTION OF REVISION	APPROVED
UNDER 3	± 0.1	△	. .	
3 TO 6	± 0.2	△	. .	
6 TO 18	± 0.3	△	. .	
18 TO 50	± 0.4	△	. .	
50 OVER	± 0.5	△	. .	

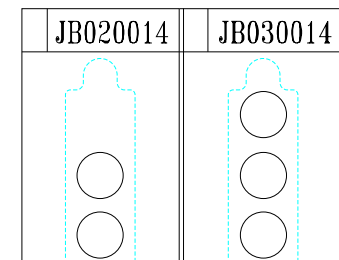
C/H HOLE



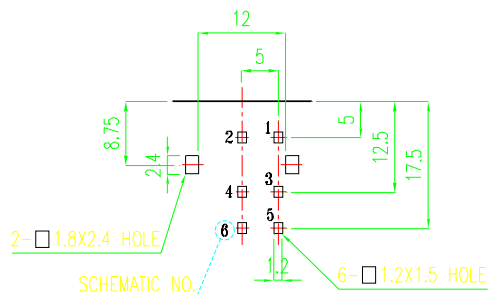
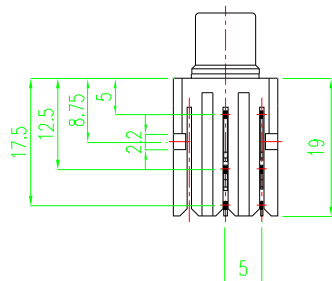
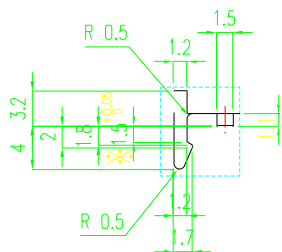
SCHEMATIC

COLOR

W: WHITE
B: BLACK
R: RED
Y: YELLOW



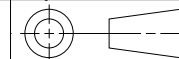
DETAIL "F"



PCB MTG
(Solder surface)

9	WASHER	ABS	94HB	3	2M616	
8	CAP	C2600	1-0	0.3t	3	1P065 -PLATING
7	PIN-S	C2680	1/2H	0.5t	1	2P288 SnPb-PLATING
6	PIN-M	C2680	1/2H	0.5t	1	2P287 SnPb-PLATING
5	PIN-L	C2680	H	0.5t	1	2P286 SnPb-PLATING
4	GND TER'-S	C2680	1/2H	0.3t	1	2P315 SnPb-PLATING
3	GND TER'-M	C2680	1/2H	0.3t	1	2P314 SnPb-PLATING
2	GND TER'-L	C2680	1/2H	0.3t	1	2P313 SnPb-PLATING
1	BASE	ABS	94HB	1	2M773	BLACK
NO	PART NAME	MATERIAL	QUANTITY	PART NO	REMARKS	

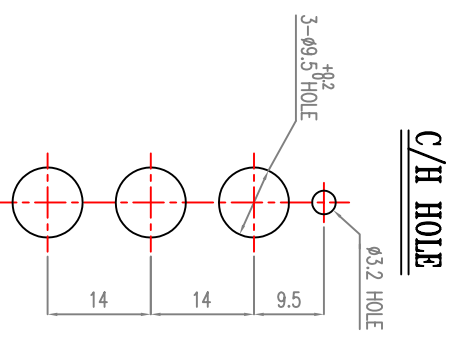
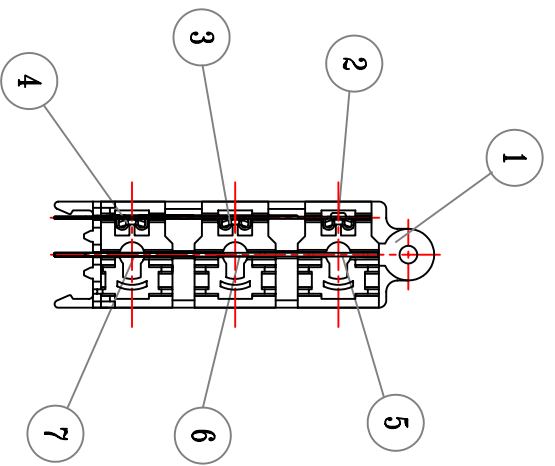
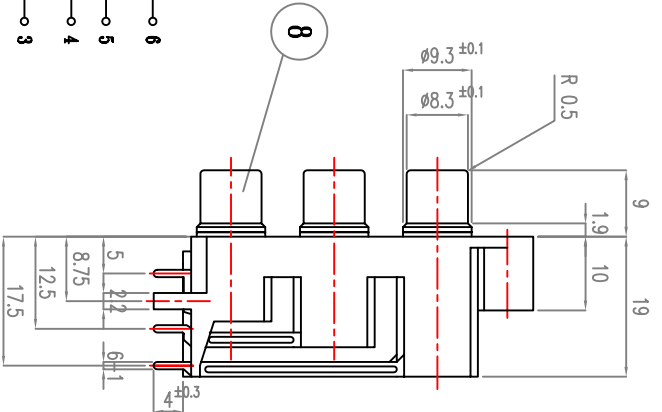
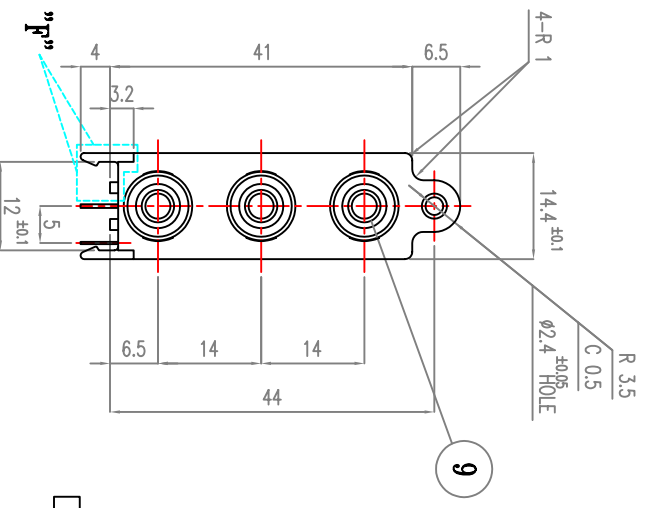
Vimex International Corp.
800-227-0075



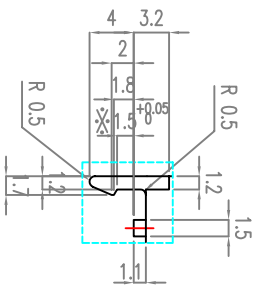
SCALE 1/1 DIMENSION m/m

REVISION	DRAWING	CHECKED	APPROVED	NAME TITLE	PIN JACK BOARD(□P)
1.2	L.M.S				JB0□0014□□
	2002.03.19	2002.03.19	2002.03.19	DRAWING NUMBER	

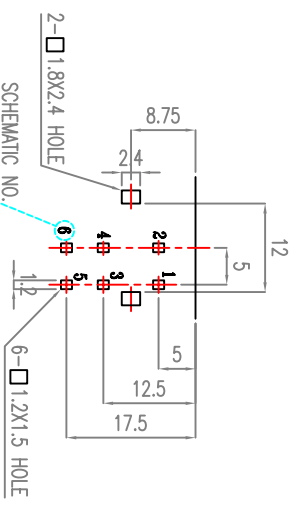
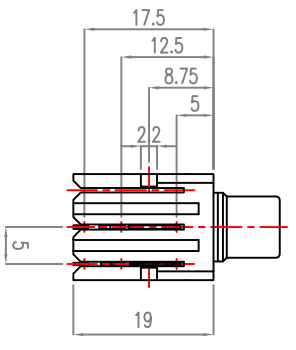
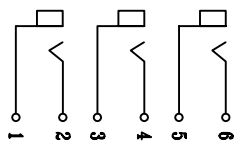
ALLOWANCE	MARK	DATE	DESCRIPTION OF REVISION	APPROVED
UNDER 3 ±0.1	△	03.7.1	SnPb — Sn ????	
3 TO 6 ±0.2	△	..		
6 TO 18 ±0.3	△	..		
18 TO 50 ±0.4	△	..		
50 OVER ±0.5	△	..		



DETAIL "F"



SCHEMATIC



COLOR	G: GREEN	U: BLUE	R: RED
JB030014	G	U	R

NO	PART NAME	MATERIAL	QUANTITY	PART NO	REMARKS
9	WASHER	ABS 94HB	3	2M616	
8	CAP	C2600 1-0 0.3t	3	1P065	AU-PLATING
7	PIN-S	C2680 1/2H 0.5t	1	2P288	SnSbB-PLATING
6	PIN-M	C2680 1/2H 0.5t	1	2P287	SnSbB-PLATING
5	PIN-L	C2680 H 0.5t	1	2P286	SnSbB-PLATING
4	GND TER-S	C2680 1/2H 0.3t	1	2P315	SnSbB-PLATING
3	GND TER-M	C2680 1/2H 0.3t	1	2P314	SnSbB-PLATING
2	GND TER-L	C2680 1/2H 0.3t	1	2P313	SnSbB-PLATING
1	BASE	ABS 94HB	1	2M773	BLACK

PCB MTG
(Solder surface)

REVISION	DRAWING	CHECKED	APPROVED	NAME TITLE	DRAWING NUMBER	PIN JACK BOARD(3P)
1.2						JB0300148G

