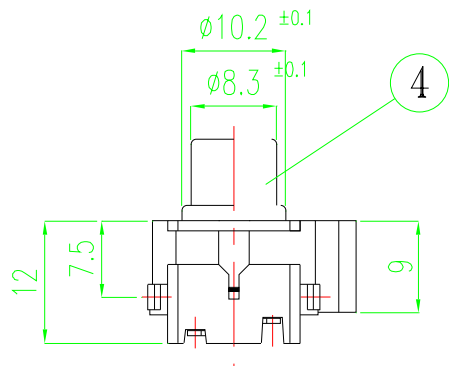
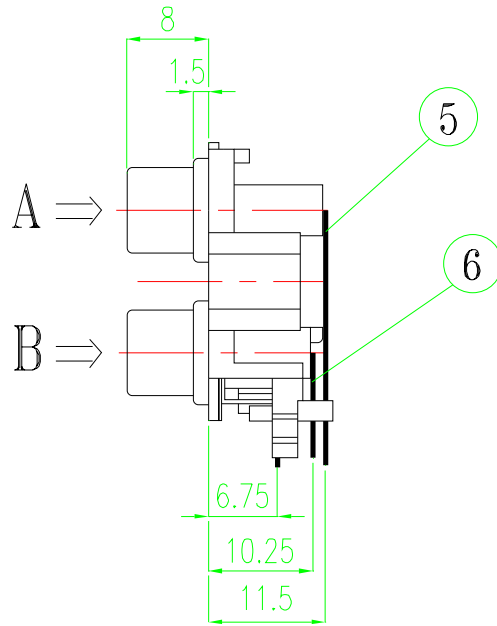
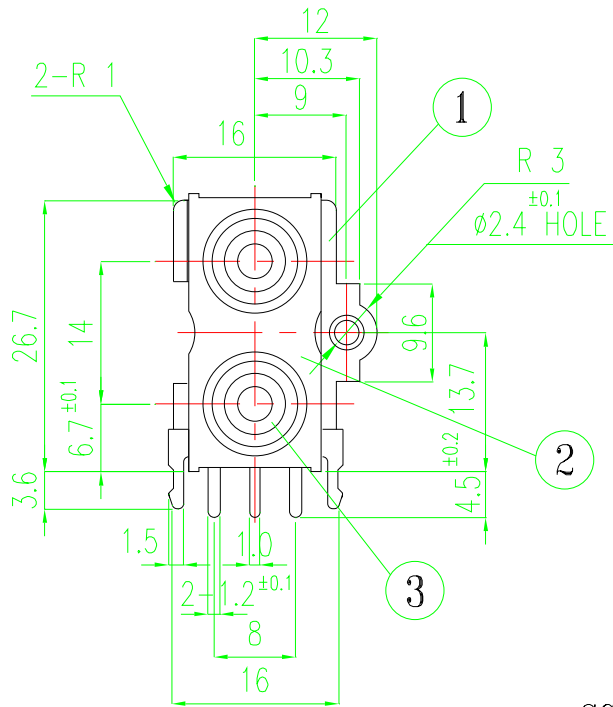
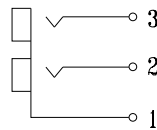


ALLOWANCE			MARK	DATE	DESCRIPTION OF REVISION	APPROVED
UNDER 3	± 0.1	△	. .			
3 TO 6	± 0.2	△	. .			
6 TO 18	± 0.3	△	. .			
18 TO 50	± 0.4	△	. .			
50 OVER	± 0.5	△	. .			

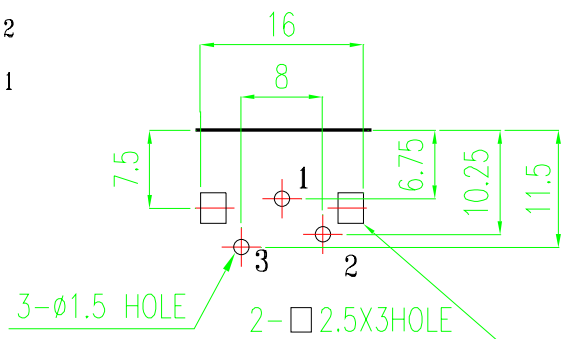


SCHEMATIC



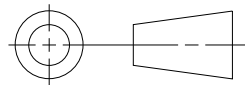
PCB-MTG

(Solder surface)



6	PIN-S	C2680 H	0.5t	1	2P042	NI-PLATING
5	PIN-L	C2680 H	0.5t	1	2P041	NI-PLATING
4	CAP-GROUND	C2600 1-0	0.4t	1	1P040	NI-PLATING
3	WASHER	ABS	94HB	2	2M616	A; W B; R
2	COVER	ABS	94HB	1	2M631	BLACK
1	BASE	ABS	94HB	1	2M630	NP
NO	PART NAME	MATERIAL		QUANTITY	PART NO	REMARKS

Vimex International Corp.
800-227-0075



SCALE

1/1

DIMENSION m/m

REVISION	DRAWING	CHECKED	APPROVED	NAME TITLE	PIN JACK BOARD(2P)
1.2	L.M.S			DRAWING NUMBER	
	1999.01.06	2002.07.11	2002.07.11		JA0200620N