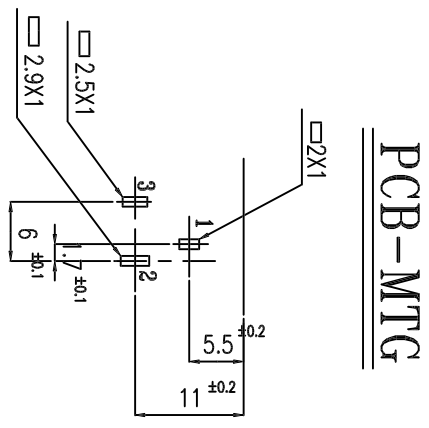
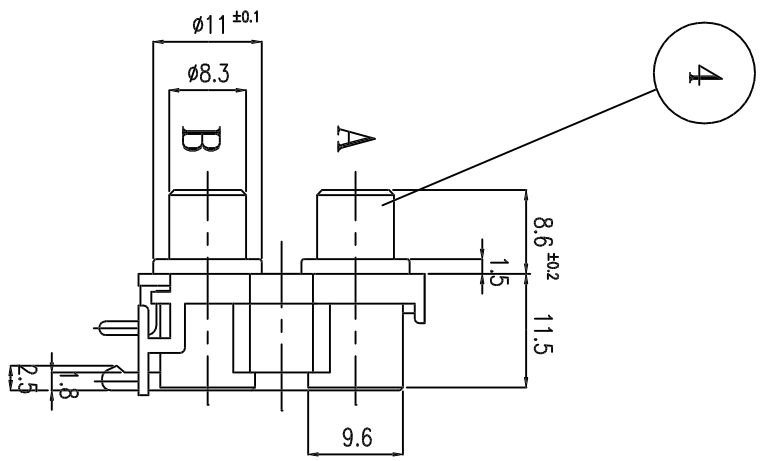
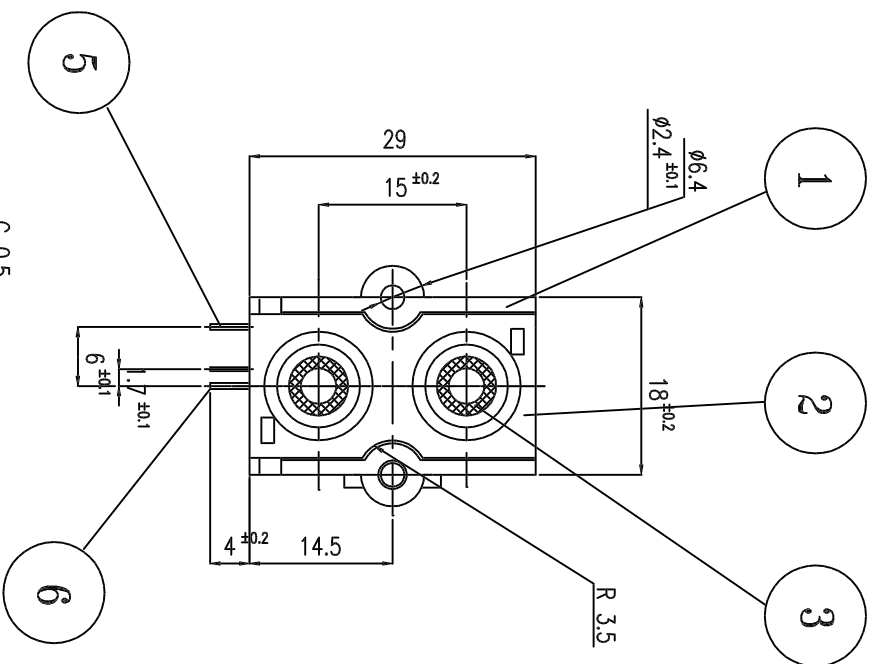
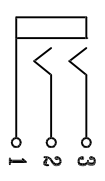


| ALLOWANCE       | MARK | DATE | DESCRIPTION OF REVISION | APPROVED |
|-----------------|------|------|-------------------------|----------|
| UNDER 6 ± 0.05  | ▽    | ..   |                         |          |
| 6 TO 18 ± 0.1   | ▽    | ..   |                         |          |
| 18 TO 32 ± 0.15 | ▽    | ..   |                         |          |
| 32 TO 50 ± 0.2  | ▽    | ..   |                         |          |
| 50 OVER ± 0.25  | ▽    | ..   |                         |          |



### PCB-MTG

### SCHEMATIC



| NO | PART NAME  | MATERIAL       | QUANTITY | PART NO | REMARKS    |
|----|------------|----------------|----------|---------|------------|
| 1  | BASE       | ABS 94HB       | 1        | M763    | NP         |
| 2  | COVER      | ABS 94HB       | 1        | M760    | BLACK      |
| 3  | WASHER     | ABS 94HB       | 2        | M616    | A; W B; R  |
| 4  | CAP GROUND | C2600 1-0 0.4t | 1        | P087    | NI-PLATING |
| 5  | PIN-L      | C2680 0.6t     | 1        | P025    | NI-PLATING |
| 6  | PIN-S      | C2680 0.6t     | 1        | P026    | NI-PLATING |

| DRAWING    | CHECKED    | JUDGING    | APPROVED   | NAME TITLE         | DRAWING NUMBER |
|------------|------------|------------|------------|--------------------|----------------|
| 1993.12.27 | 1993.12.27 | 1993.12.27 | 1993.12.27 | PIN JACK BOARD(2P) | J40200280N     |



SCALE 2/1 DIMENSION mm