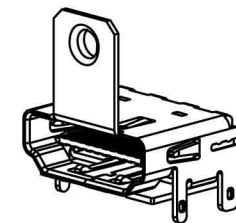
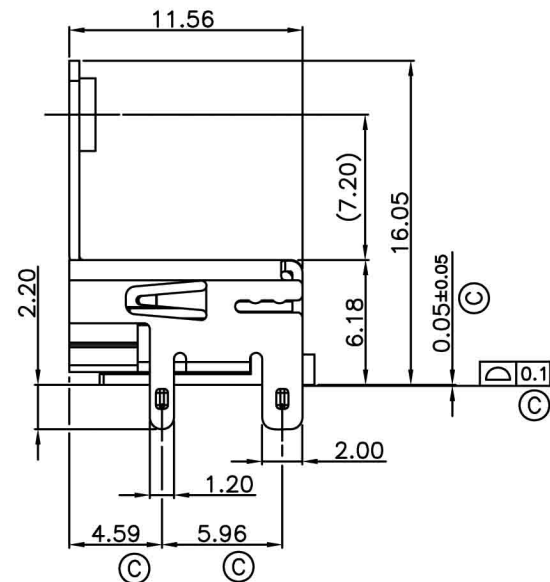
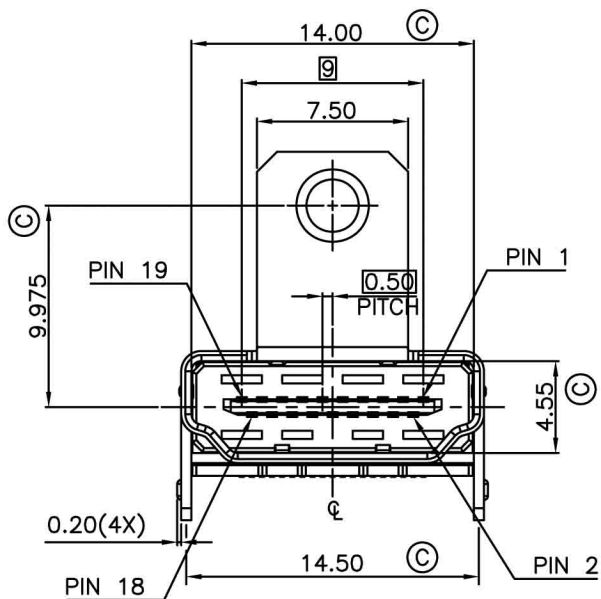


RECOMMENDED PCB LAYOUT (THICKNESS=1.6±0.15mm)



- Material and Finish:
1. Insulator Material: L.C.P.+30% Glass Filled UL94V-0, Color: Black.
  2. Contact Material: Brass(C2680-EH), t=0.2mm
  3. Shell Material: Brass(C2680 1/2H), t=0.5mm
  4. Contact Area Plated: 15u" Gold For One Side Plated Over 50u" Nickel
  5. Solder Area Plated: 100u" Tin Plated For Double Sides Over 50u" Nickel
  6. Shell Plated: 100u" Nickel Plated
  7. Current Rating: 0.5 Amp Min.
  8. Insulation Resistance: Unmated: 100 Mohms Min. Mated: 10 Mohms Min.
  9. Contact Resistance: 10 mohms Max.
  10. Dielectric Withstanding Voltage: 300V AC
  11. Operation Temperature: -55°C to +85°C
  12. Control Dimensions Indicated From ©

UNLESS OTHERWISE SPECIFIED TOLERANCE			
ANG.	±5°		
.0	±0.25		
.00	±0.20		
SCALE:	AS SHOWN	UNIT:	mm
DRAWN	Willis	DATE	2007/1/10
CHECKED	/ /	DRAWN NAME: HDMI Connector	
APPROVED	/ /	W/Flange. Solder Tail: SMT Type. Shell: T/H Type.	
REV.		FILE NAME:	
DESCRIPTION		PRODUCT NO. HDMI-B-SAAN	
DATE		SIZE A4	