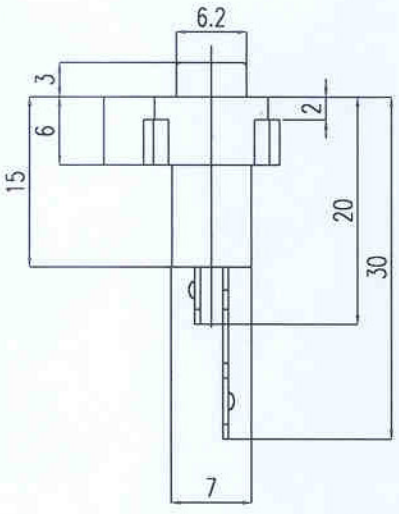
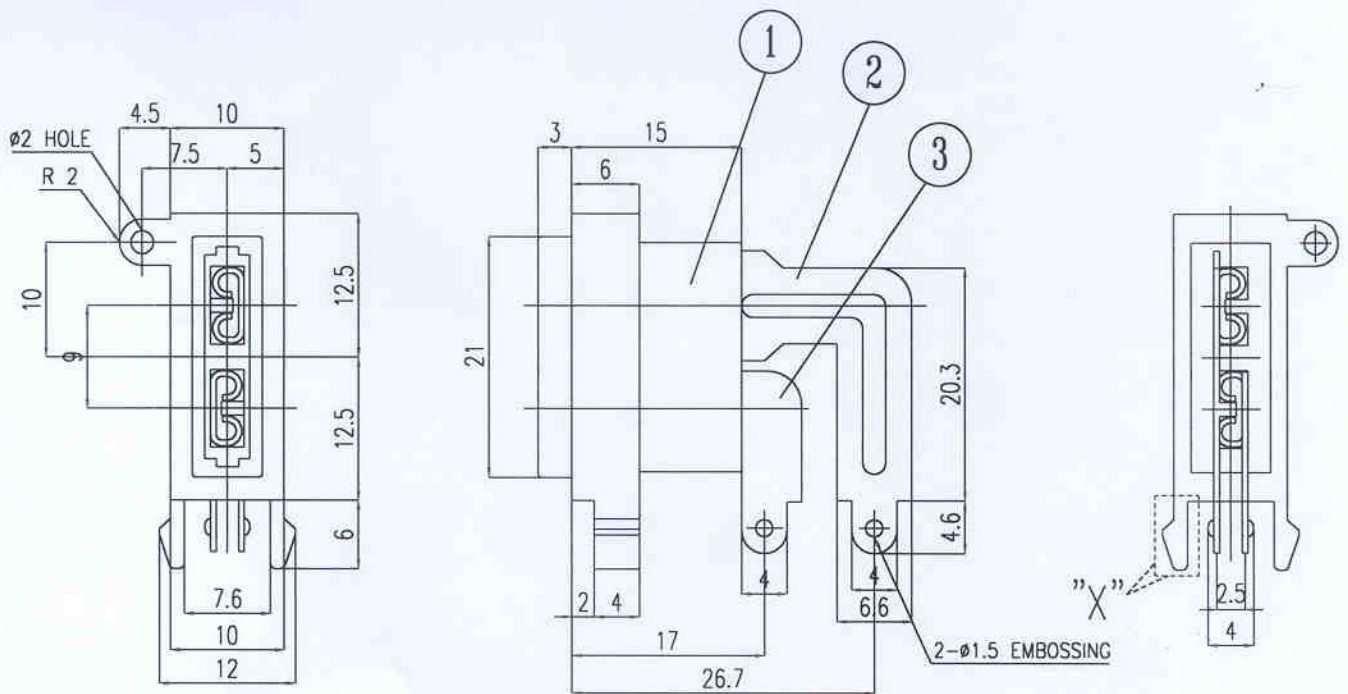
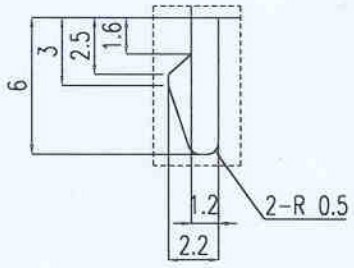


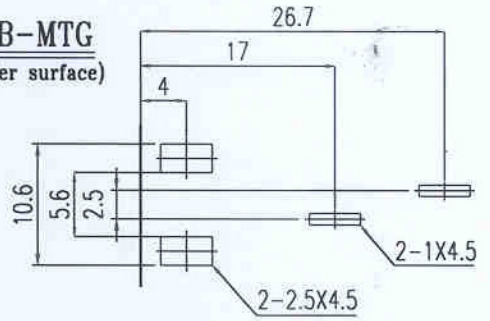
ALLOWANCE		MARK	DATE	DESCRIPTION OF REVISION	APPROVED
UNDER	3	± 0.1	△	. .	
3 TO	6	± 0.2	△	. .	
6 TO	18	± 0.3	△	. .	
18 TO	50	± 0.4	△	. .	
50 OVER		± 0.5	△	. .	



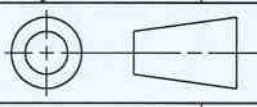
DETAIL "X"



PCB-MTG
(Solder surface)



3	CONNECTOR-S	C2680 1/2H	0.5t	1	2P397	SN - PLATING
2	CONNECTOR-L	C2680 1/2H	0.5t	1	2P396	SN - PLATING
1	BASE	NYLON-66		1	2M869	BLACK
NO	PART NAME	MATERIAL		QUANTITY	PART NO	REMARKS



SCALE 1/1 DIMENSION m/m

REVISION	DRAWING	CHECKED	APPROVED	NAME TITLE	FUSE HOLDER (1P)
1.0	1999.02.18	1999.02.18	1999.02.18	DRAWING NUMBER	F40240130P