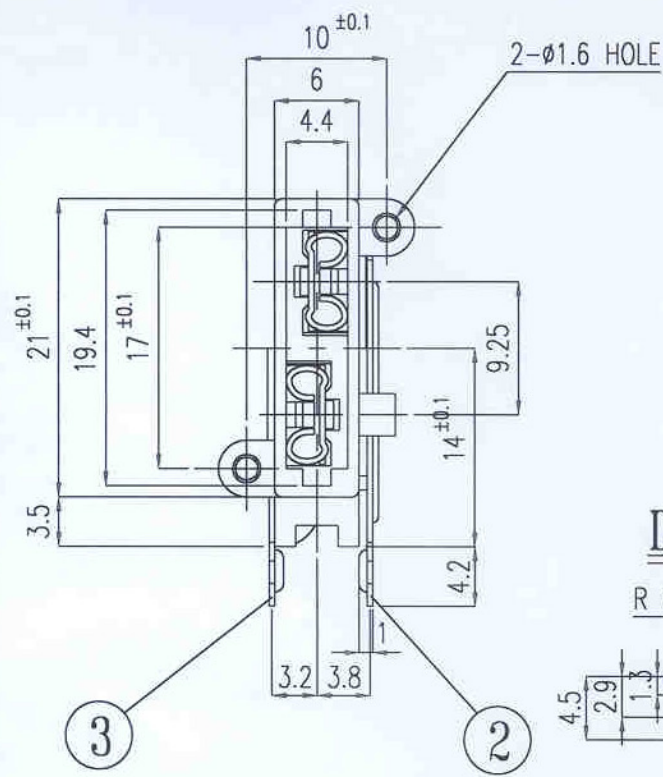
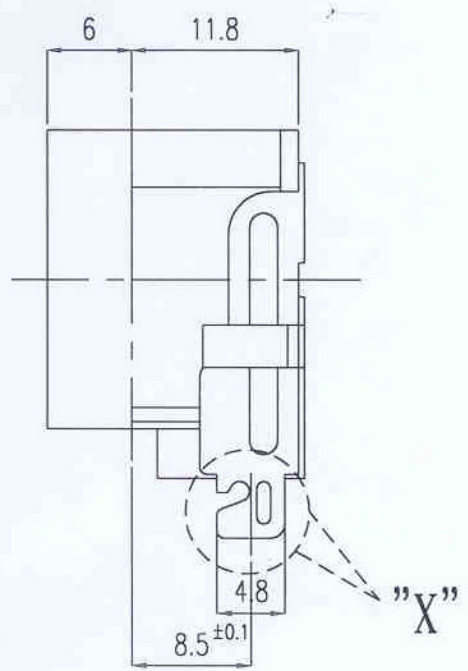
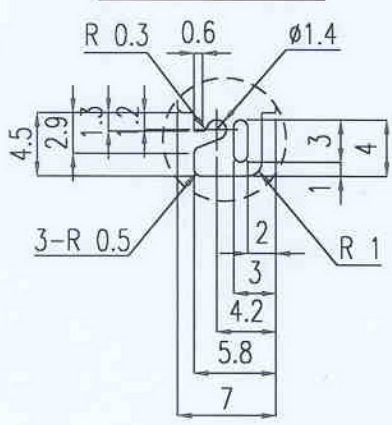


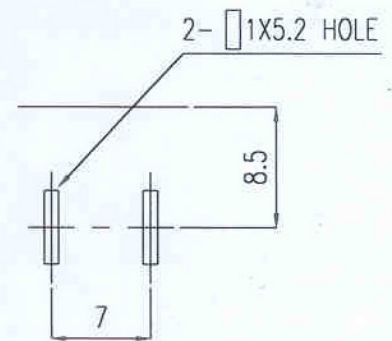
ALLOWANCE	MARK	DATE	DESCRIPTION OF REVISION	APPROVED
UNDER 6 ± 0.05	△	. .		
6 TO 18 ± 0.1	△	. .		
18 TO 32 ± 0.15	△	. .		
32 TO 50 ± 0.2	△	. .		
50 OVER ± 0.25	△	. .		



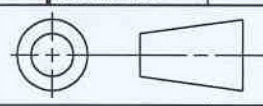
**DETAIL "X"**



**PCB-MTG**



3	CONNECTOR-S	C2680 1/2H	0.4t	1	2P276	SN-PLATING
2	CONNECTOR-L	C2680 1/2H	0.4t	1	2P275	SN-PLATING
1	BASE	NYLON-66		1	2M783	BLACK
NO	PART NAME	MATERIAL		QUANTITY	PART NO	REMARKS



SCALE 2/1 DIMENSION m/m

REVISION	DRAWING	CHECKED	APPROVED	NAME TITLE	FUSE HOLDER(2P)
1.2	1998.5.11	1998.5.11	1998.5.11	DRAWING NUMBER	
					F30240090P