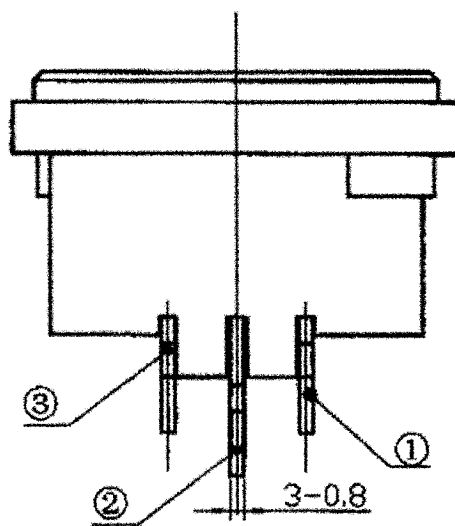


PCB MOUNTING HOLES (tolerance: ± 0.1)
(VIEWED FROM COPPER SIDE)



④	HOUSING	1	ABS 94HB BLACK		RoHS COMPLIANT
③	3# TERMINAL	1	H62 Y t=0.8	CuSn	RoHS COMPLIANT
②	2# TERMINAL	1	H62 Y t=0.8	CuSn	RoHS COMPLIANT
①	1# TERMINAL	1	H62 Y t=0.8	CuSn	RoHS COMPLIANT
NO.	PART NAME	QTY	MATERIAL	FINISH	REMARK



MODEL TYPE: XLR Connector - Female		
PART NO.: E203A003		
DWG NO.: Q/CS.QW-001A		
WEIGHT	SHEET	REVISION
	1/1	A0

					ANGULAR	$\pm 5^\circ$
ΔX					$L \leq 4$	± 0.2
ΔX					$4 < L \leq 16$	± 0.3
ΔX					$16 < L \leq 83$	± 0.4
MARK					$63 < L$	± 0.5
REVISIONS					UNSPECIFIED TOLERANCES	
THIS DOCUMENT IS THE PROPERTY OF CHUNSHENG ELECTRONICS CO.,LTD.,NO PART THEREOF MAY BE REPRODUCED AND USED WITHOUT THE PRIOR WRITTEN CONSENT OF THE OWNER						