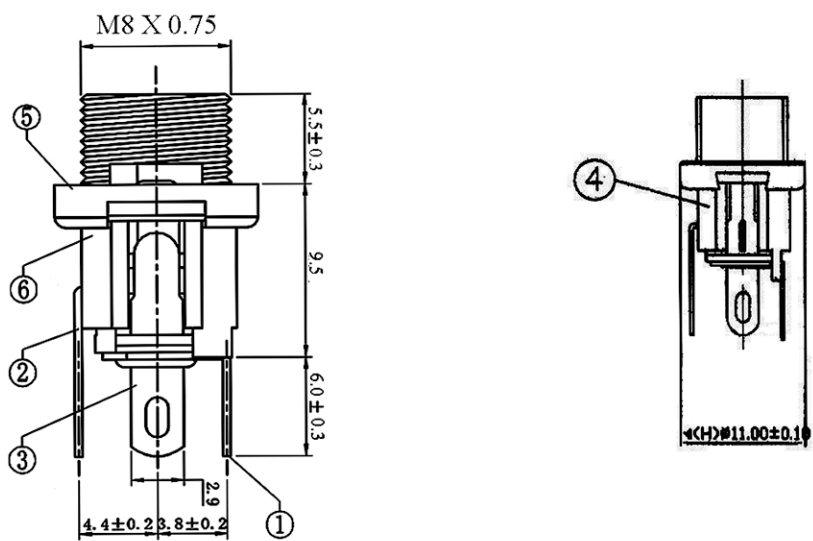
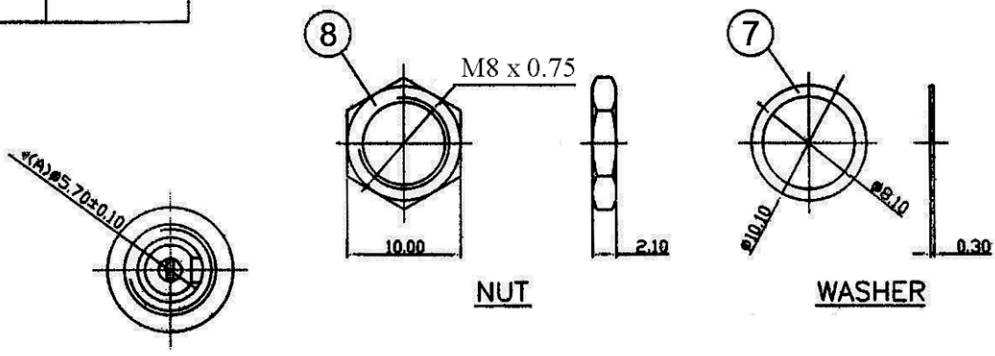


CENTER PIN DIAMETER
2.0mm/2.5mm



8.	Nut	2.1T Brass	1	Nickel Plated
7.	Washer	0.3T Steel	1	Nickel Plated
6.	Housing	PBT	1	Black Color
5.	Bushing	Brass	1	Nickel Plated
4.	Pin	Copper	1	Nickel Plated
3.	Sleeve Spring	0.4T Phosphor Bronze	1	Silver Plated
2.	Break Terminal	0.3T Brass	1	Silver Plated
1.	Pin Terminal	0.3T Brass	1	Silver Plated
NO.	Description	Material	Q'TY	Finish

SPECIFICATIONS:
 Contact Resistance : 30mΩ max
 Insulation Resistance : 100MΩ min. at DC 500V
 Dielectric Withstand Voltage : AC 500V for one minute
 Remark: ▲ : The Most Important Dimension



DATE	DWN	CHKD	APVD	MANAGER
07.01.2003				

PART NAME : DC POWER JACK	PART NUMBER: SCD-026/A	VERSION: 3.0
TOLERANCE : ±0.3mm UNLESS OTHERWISE SPECIFIED	UNIT: mm	SCALE: /