



Product Specification

1) **Rating:** DC 30V 0.3A

2) **Electrical Performance:**

	Test Conditions	Performance
Contact Resistance	1KHZ \pm 200HZ DC 5V, 1A	50m Ω Max.
Insulation Resistance	Apply a voltage of 500V DC shall be applied for 1 minute after which measurement taken: (1) Between terminals not to be contact (2) Between body and terminal (3) Between terminals not to be contact when plug is inserted	100M Ω Min.
Dielectric Strength	AC500V rms (50-60Hz) for 1 minute trip current: 0.5mA (1) Between terminals not to be contact. (2) Between body and terminal (3) Between terminals not to be contact when plug is inserted.	Without damage to parts arcing or breakdown

3) **Mechanical Performance:**

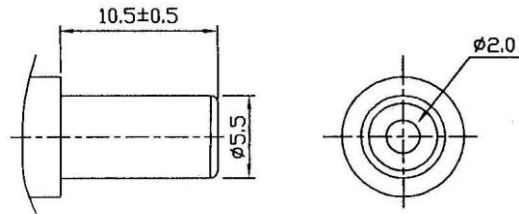
	Test Conditions	Performance
Durability	Endurance without load: Jack shall be subjected to 5,000 cycles at a rate of 15 to 18 cycles per minute without loading.	(1) Contact resistance: 50m Ω Max. (2) Insulation Resistance: 100M Ω Min. (3) Withstand Voltage: AC 500V for 1 minute. (4) Operating force: within \pm (10%~30%) of specifications



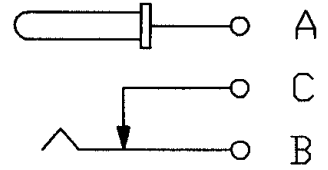
4) Endurance:

	Test Conditions	Performance
Damp heat proof	The jack shall be stored at a temperature of $40\pm 2^{\circ}\text{C}$ and a humidity of 90% to 95% for 48 hours, then the jack shall be maintained at standard atmospheric conditions for 1 hour after which measurement shall be made.	(1) Contact resistance: $80\text{m}\Omega$ Max. (2) Insulation Resistance: $100\text{M}\Omega$ Min. (3) Withstand Voltage: AC 500V for 1 minute. (4) Operating force: within \pm (10%~30%) of specifications
Test Condition (Unless otherwise specified) Temperature: $5^{\circ}\text{C} - 35^{\circ}\text{C}$ Humidity: 45% - 85% R.H. Pressure: 86 - 106kPa		

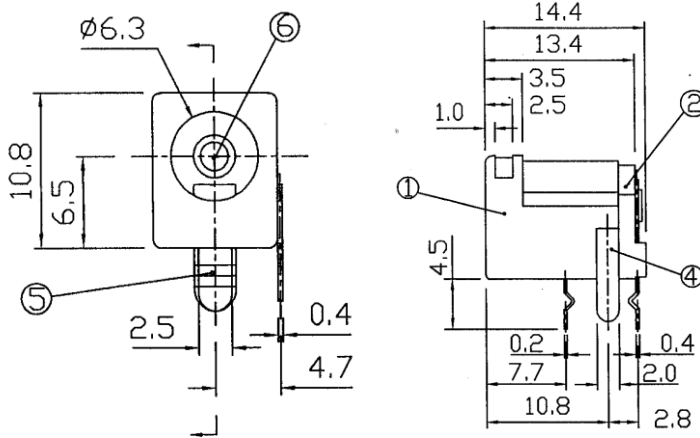
- 5) **Solder ability: $230^{\circ}\text{C} \pm 5^{\circ}\text{C}$, 3 ± 0.5 seconds**
- 6) **Operating Temperature Range: $-10^{\circ}\text{C} \sim +60^{\circ}\text{C}$**
- 7) **Operating Force (gf): 1000~1500gf, 400~900gf**



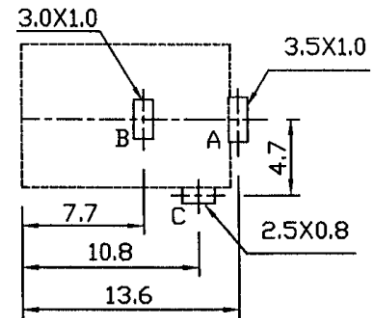
MATING PLUG



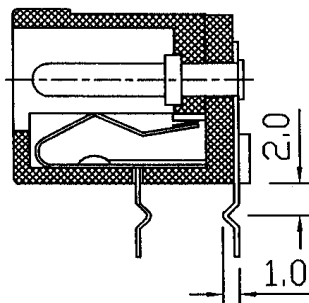
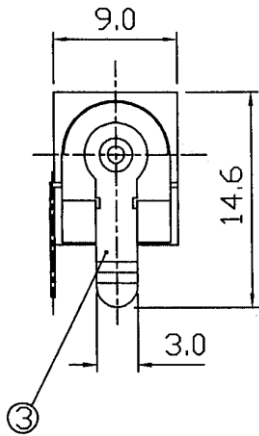
SCHEMATIC



CENTER PIN DIAMETER
φ2.0mm



P.C.B LAYOUT



NO	PART	MATERIAL	QTY	REMARKS
1	FRAME	PBT	1	
2	Terminal Base	PBT	1	
3	Fixed Plate	Brass	1	Ag PLATED
4	Contact Plate	Brass	1	Ag PLATED
5	Spring Plate	S US	1	Ag PLATED
6	Center Pin	Brass	1	Ni PLATED