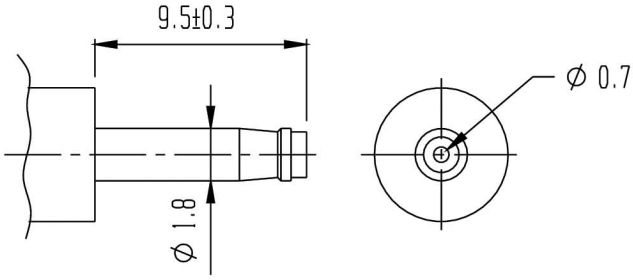
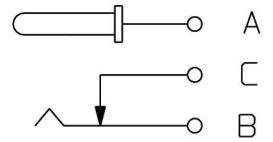
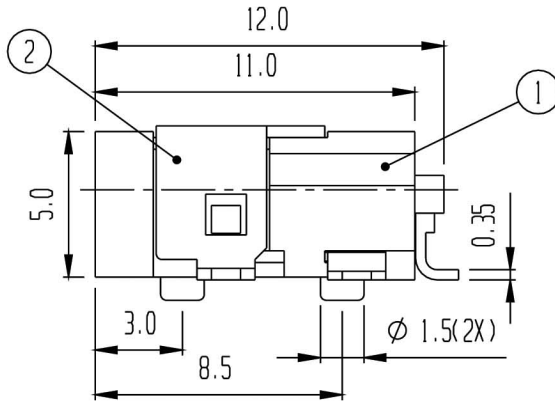
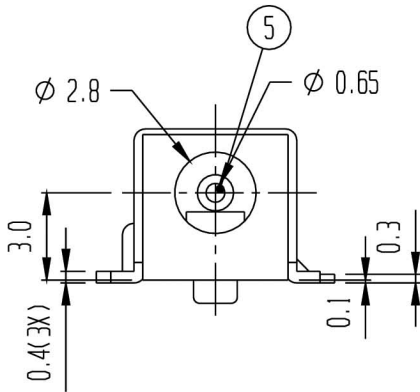
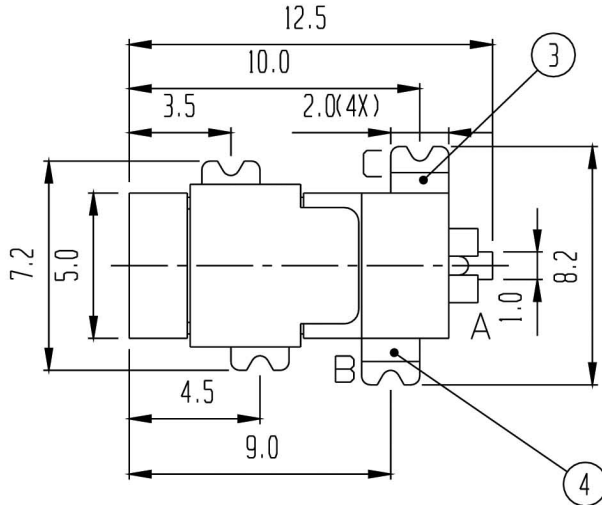


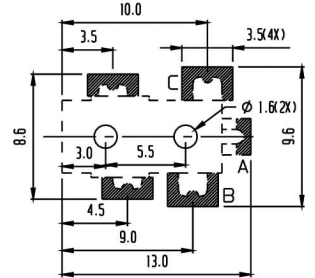
CENTER PIN DIAMETER: $\phi 0.65\text{mm}$



RoHS
Compliance



SCHEMATIC



P.C.B. LAYOUT

5	CENTER PIN	BRASS	1	Ag PLATED					
3	TERMINAL	BRASS	1	Ag PLATED	4	TERMINAL	P B S	1	Ag PLATED
1	FRAME	NYLON 6T	1	BLACK	2	TERMINAL	SPCC	1	Ni PLATED
NO.	PART	MATERIAL	QTY	REMARKS	NO.	PART	MATERIAL	QTY	REMARKS

ISSUED

SPECIFICATION

TITLE: DC POWER JACK SMD

RATING: DC 30V 0.3A

CONTACT RESISTANCE: 50mΩ max.

INSULATION RESISTANCE: 100MΩ AT 500V DC

WITHSTAND VOLTAGE: AC 250V for 1 minute

OPERATION FORCE: REFER ATTACH SPECIFICATION

SWITCHING LIFE: 5,000 cycles min.

MODEL NO: SCJ-028-SMD

TOLERANCE

UNIT: MM

DWN.

hwo

UP TO 1.0:±0.1

SCALE: 4:1

CHK'D.

hwo

1.0 TO 10.0:±0.2

VERSION: 03

APPD.

hwo

OVER 10.0:±0.3

DRWG NO: 001

hwo

BY:

DATE: 26-MAY-2007

VIMEX
INTERNATIONAL CORPORATION

