

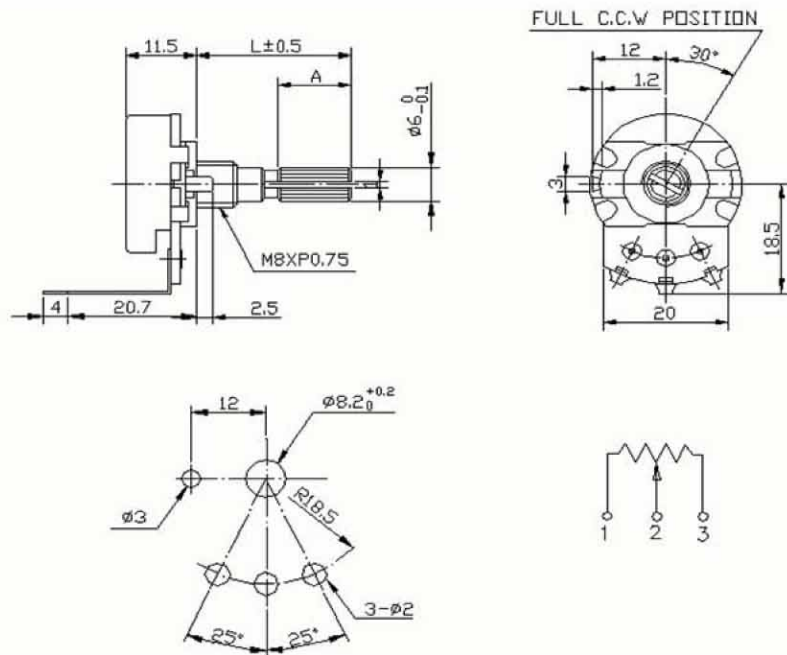
## 24mm Metal Shaft Rotary Potentiometer

### MP24VP

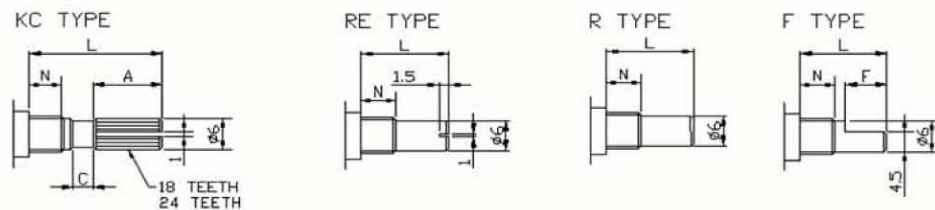


**MP24VP- B 5K, L - 20 KC**  
 Taper    Resistance Value    Shaft Length    Shaft Type

#### Dimensions



#### Shaft Type



Ni:6.5m/m

SHAFT-TYPE	L	10	15	20	25	30	35	40
KC	A	2.2	6	10	12	12	12	12
	C	0.5	1	2	2	4	4	4
	F	2.5	7	12	12	12	12	12
R,RE	L	10	15	20	25	30	35	40