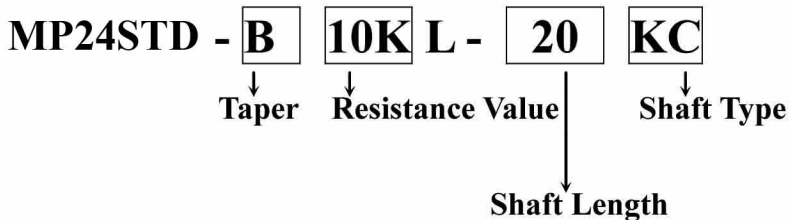


24mm Metal Shaft Rotary Potentiometer

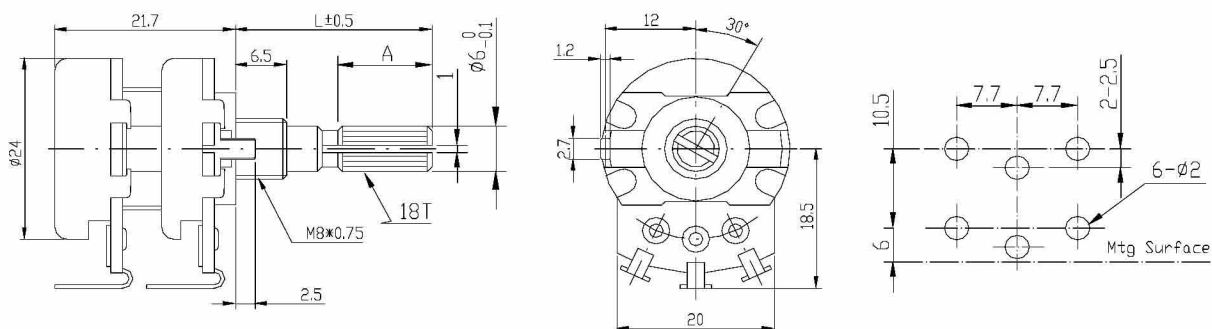
MP24STD



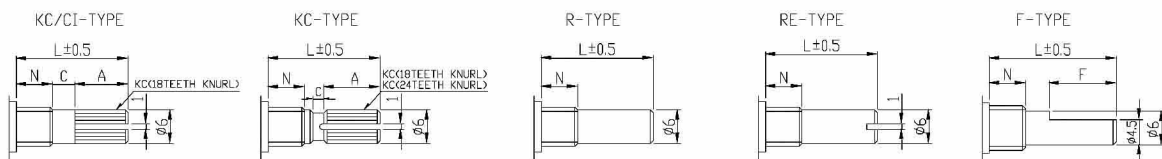
Part Number



Dimensions



Shaft Type



N=6.5 m/m		L	10	15	17	20	25	30	35	40
SHAFT-TYPE	KC	A	2.2	6	8	10	12	12	12	12
		C	0.5	1	1	2	2	4	4	4
KC/CI	A	1.5	6.5	8.5	11.5	14	19			
	C	2	2	2	2	4.5	4.5			
F	F	2.5	7	7	12	12	12	12	12	
R . RE	L	10	15	17	20	25	30	35	40	