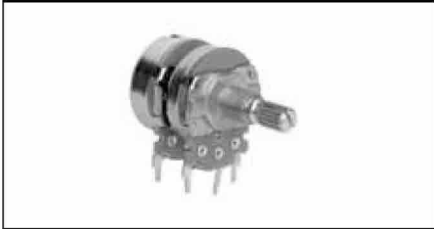
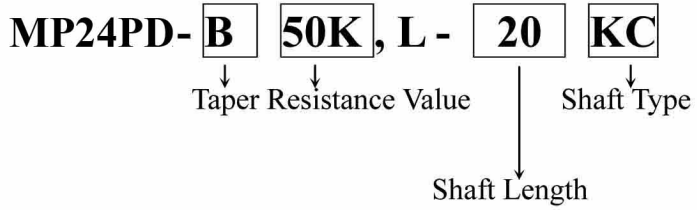


24mm Metal Shaft Rotary Potentiometer

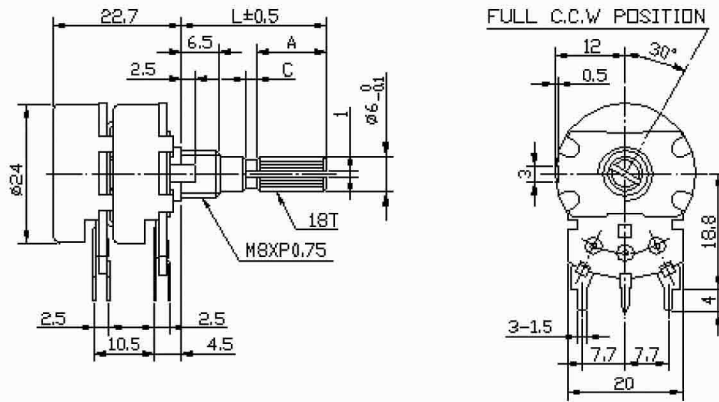
MP24PD (Dual Units)



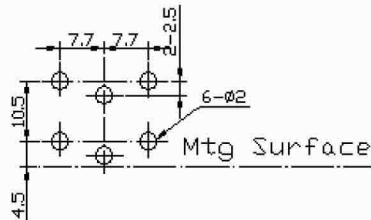
Part Number



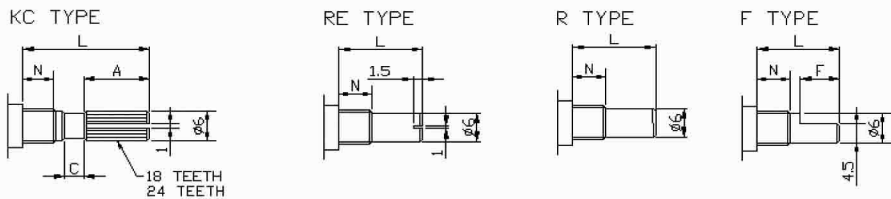
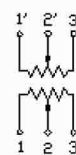
Dimensions



Shaft Type



CIRCUIT



Ni:6.5m/m

SHAFT-TYPE	L	10	15	20	25	30	35	40
KC	A	2.2	6	10	12	12	12	12
	C	0.5	1	2	2	4	4	4
F	F	2.5	7	12	12	12	12	12
R,RE	L	10	15	20	25	30	35	40