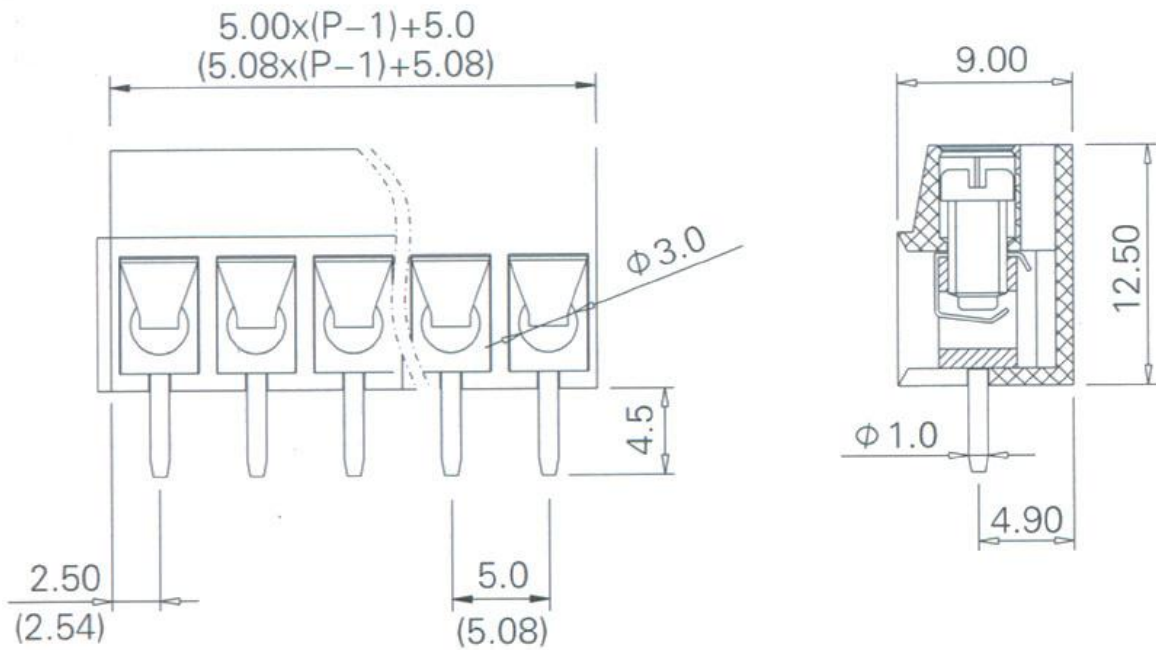
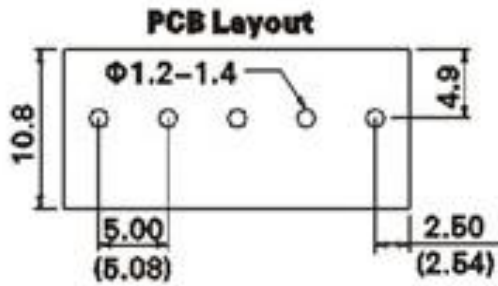


Product Drawing



				Description:	Standard Outline Drawing
Page:	1	Date:	2011-01-07	P/N	VWP200V-5.0
of:	1	Revision:	1.0		VWP200V-5.08