

3 mm Square SMT Trimmer Potentiometers  
(Carbon Composition, Dustproof Type)



Type: **EVN5E**(with rotation stopper)  
**EVN5C**

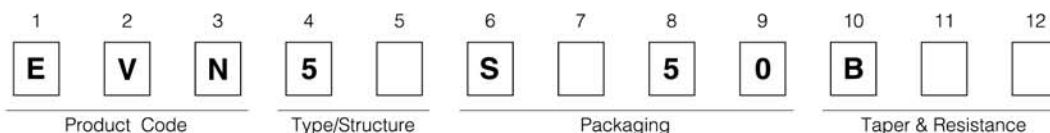
■ Features

- No readjustment needed through Rotor protected Structure for careless slip
- Excellent mounting efficiency due to cubic shape suited to automatic pick-and-place assembly equipment
- Excellent reliability through dustproof Structure
- Rotation stopper featured type (EVN5E□)
- Conforming to JIS C5260-1:1999

■ Recommended Applications

- Audio visual equipment, Office Automation equipment, Communication equipment
- Other general electronic equipments

■ Explanation of Part Numbers



\*For the details of Part Number, refer to page EV5.

■ Major Specifications

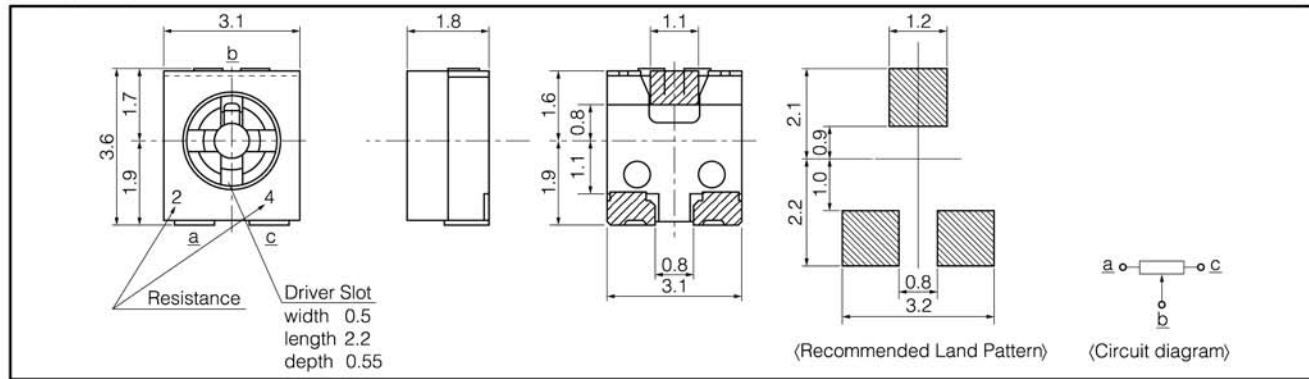
|                                                |                                                                                          |
|------------------------------------------------|------------------------------------------------------------------------------------------|
| Total Resistance Value<br>Resistance Tolerance | 200 Ω to 1 MΩ<br>±30 %                                                                   |
| Power Rating<br>Maximum Operating Voltage      | 0.05 W (50 °C)<br>50 V                                                                   |
| Rotation Torque                                | 1 to 15 mN·m                                                                             |
| Stopper Strength                               | 20 mN·m (Stopper featured type)                                                          |
| Temperature Coefficient of Resistance          | ±500 × 10 <sup>-6</sup> /°C (25 to 85 °C)<br>±750 × 10 <sup>-6</sup> /°C (-25 to +25 °C) |

■ Minimum Quantity/Packing Unit

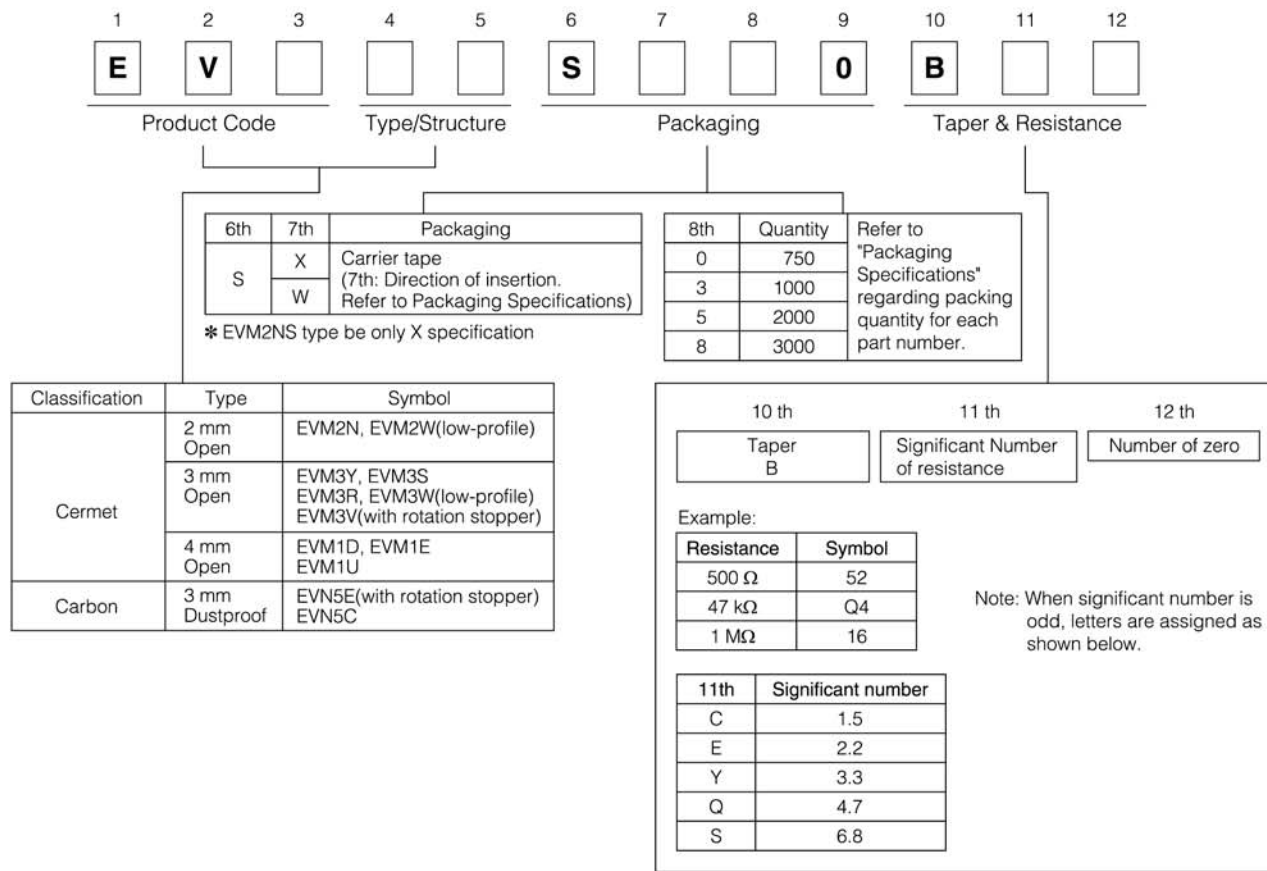
| Part Number    | Taping            |                    |                   |
|----------------|-------------------|--------------------|-------------------|
|                | Quantity per reel | Packaging quantity | Dia. of reel (mm) |
| EVN5E<br>EVN5C | 2000              | 10000              | φ178              |

■ Dimensions in mm (not to scale)

- 3-terminal, Rotation stopper featured type ..... EVN5E
- 3-terminal ..... EVN5C



■ Explanation of Part Numbers



**About packing specification**

Packing specification make the reel of  $\phi 178$  the standards.  
 Please consult with us, in the case that you request other packing structures.  
 (Bulk, Reel of  $\phi 330$ , Reel of  $\phi 380$ )