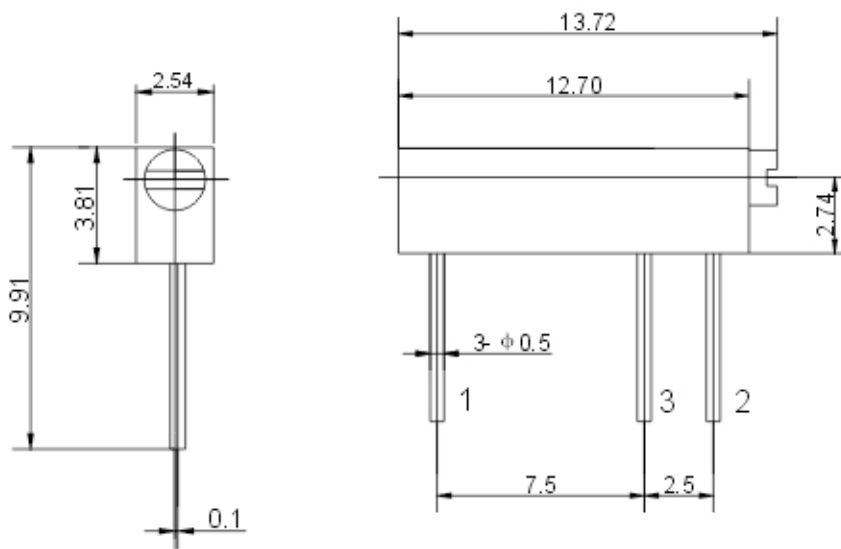


- 1/2" Rectangular / Multiturn
Cernmet / Industrial / Sealed

CE12MT-P Series Trimming Potentiometer

Electrical Characteristics

Standard Resistance Range 100 to 2 megohms (see standard resistance table)
Resistance Tolerance $\pm 5\%$ std. (tighter tolerance available)
Absolute Minimum Resistance 1% or 2 ohms max. (whichever is greater)
Contact Resistance Variation 2% or 10 ohms max. (whichever is greater)
Resolution Infinite
Insulation Resistance 600 Vdc 1,000 megohms min.
Dielectric Strength 101.3kPa 600 Vac 8.5 kPa 300 Vac
Effective Travel 12 turns nom.



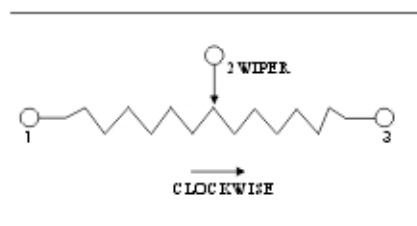
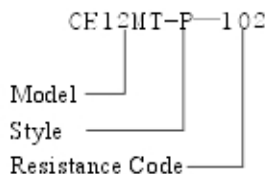
Environmental Characteristics

Power Rating (315 volts max.) 0.5 watt (70°C), 0 watt (125°C)
Temperature Range -55°C to +125°C
Temperature Coefficient ± 100 ppm/°C
Shock GJB360 A-96, Method 213, condition I (2% Δ TR; 2% Δ VR)
Random Vibration GJB360 A-96, Method 214, Condition I (D) (2% Δ TR; 2% Δ VR)
Rotational Life 200 cycles (2% Δ TR)

Physical Characteristics

Torque 20 mN • m max.
--------	----------------------

How to order



Standard Resistance Table

Resistance (Ohms)	Resistance Code
100	101
200	201
500	501
1,000	102
2,000	202
5,000	502
10,000	103
20,000	203
25,000	253
50,000	503
100,000	104
200,000	204
250,000	254
500,000	504
1,000,000	105
2,000,000	205

Special resistance available
TCR of shaded areas ± 250 ppm/°C

Detail Specification: Q/R Y20020-2000