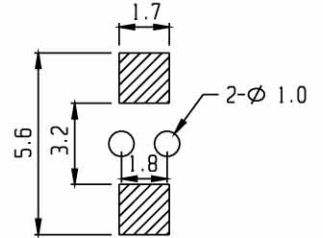
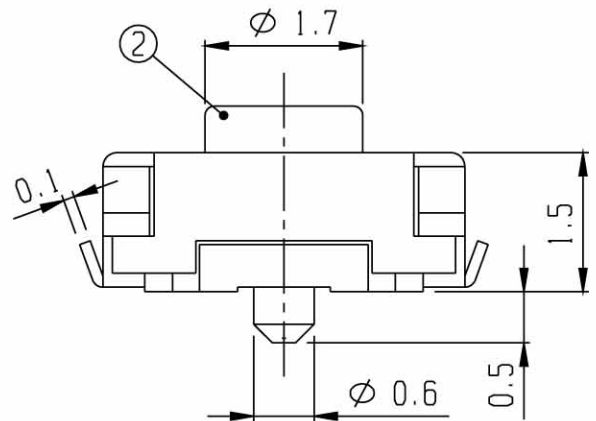
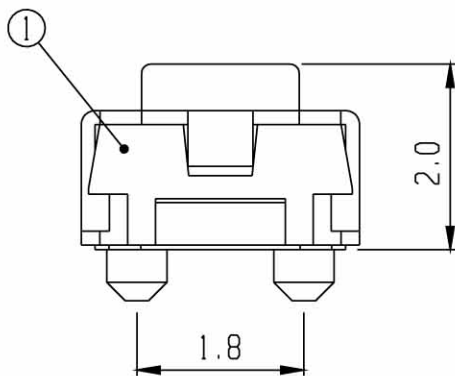


SCHEMATIC



PCB LAYOUT

RoHS
Compliance



5	CONTACT	S U S	2		6	DUST COVER	POLYIMIDE	1	
3	TERMINAL	P B S	2	Ag PLATED	4	COVER	S U S	1	
1	FRAME	NYLON 46	1		2	KNOB	NYLON 46	1	
NO	PART	MATERIAL	QTY	REMARKS	NO	PART	MATERIAL	QTY	REMARKS

ISSUED

SPECIFICATION

TITLE: TACT SWITCH

RATING: DC 12V 50mA

MODEL NO: TC-12404-00

CONTACT RESISTANCE: 100mΩ Max.

INSULATION RESISTANCE: 100MΩ at 500V DC

TOLERANCE

UNIT: MM

DWN.

WITHSTAND VOLTAGE: AC 250V for 1 minute.

UP TO 1.0:±0.1

SCALE: 12:1

CHK'D.

OPERATION FORCE: REFER ATTACH SPECIFICATION

1.0 TO 10.0:±0.2

VERSION: 02

APPD.

SWITCHING LIFE: 100k Cycles Min.

OVER 10.0:±0.3

DRWG NO:

BY:

DATE: 28-JUN-2007

VIMEX
INTERNATIONAL CORPORATION

